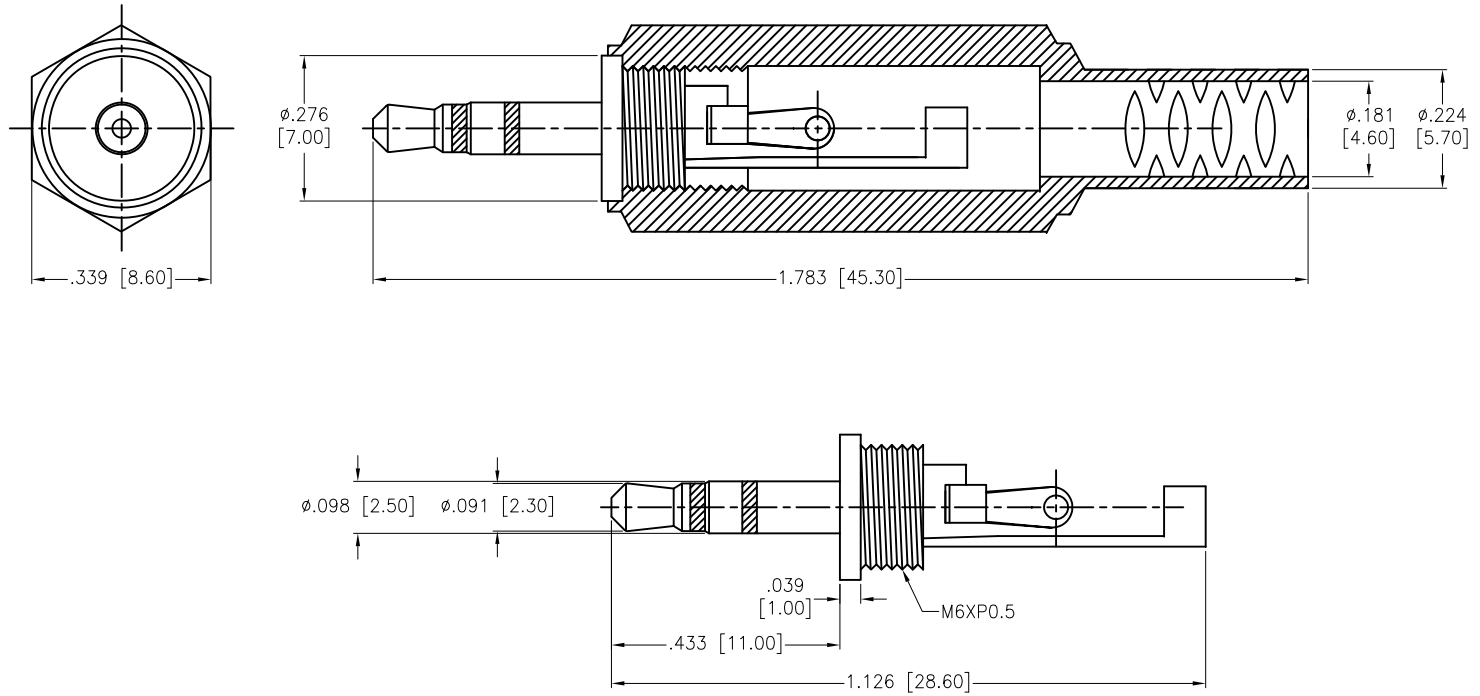


Rev	AWO #	Description	Date	Appr
-		RELEASED	8/17/15	
A		UPDATE DRAWING	1/16/20	OW/KC
B		UPDATE DIM	8/30/21	JJ/RC

APPROVED: _____
DATE: _____ TITLE: _____



SPECIFICATIONS:
Material:
Contact Head: Brass, Nickel plated
Insulator: PA66, Color: Black
Sleeve: Brass, Nickel plated
Earth Terminal: Brass, Nickel plated
Tip Terminal: Brass, Nickel plated
Cover: PE, Color: Black
Terminal Insulator: PA66, Color: Black
Environmental:
Lead free, RoHS compliant.



UNLESS OTHERWISE SPECIFIED ALL DIMENSIONS ARE INCHES [MM]. TOLERANCES: EXCEPT AS NOTED

INCHES		HOLES	
.X	$\pm .10$	ϕ .X	$\pm .10$
.XX	$\pm .020$	ϕ .XX	$\pm .015$
.XXX	$\pm .015$	ϕ .XXX	$\pm .010$

ADAM TECH 909 Rahway Avenue,
Union, NJ 07083
Phone: 908-687-5000
Fax: 908-687-5710

DRAWN	HR	8/30/15
CHECKED	CH	8/30/15
APPROVED		

TITLE		
AUDIO STEREO PLUG, 2.5MM		
SIZE	PART NO.	REV.
X	ASP-2.5-S-SR	B

THIS DRAWING CONTAINS INFORMATION THAT IS PROPRIETARY AND SHOULD NOT BE USED WITHOUT PRIOR WRITTEN PERMISSION FROM ADAM TECH

REF:	S00062T	SCALE:	NTS	SHEET	1 OF 1
------	---------	--------	-----	-------	--------