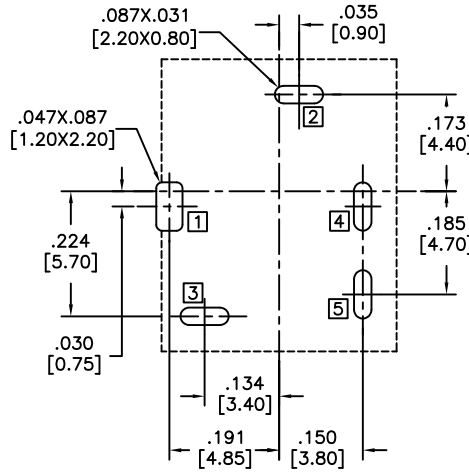
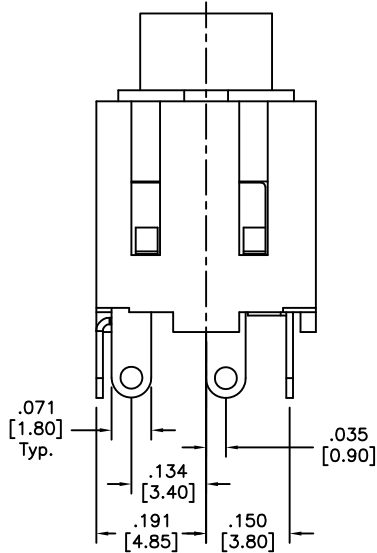
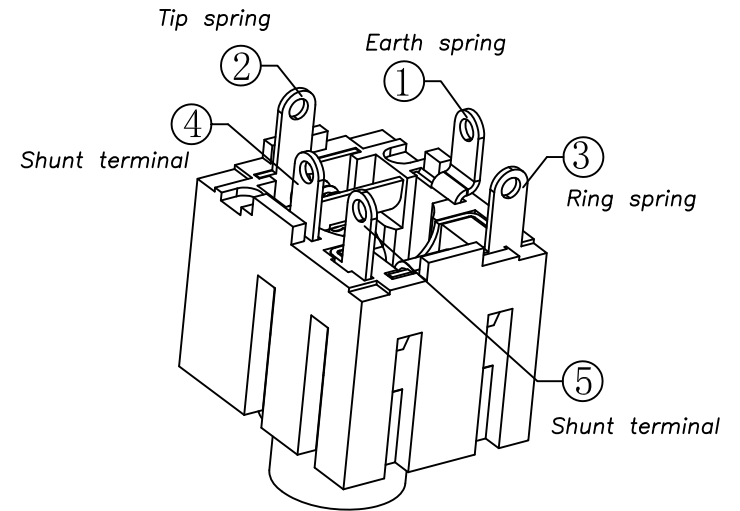
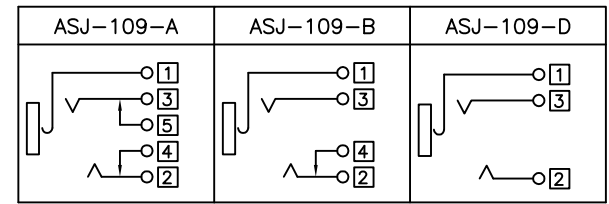
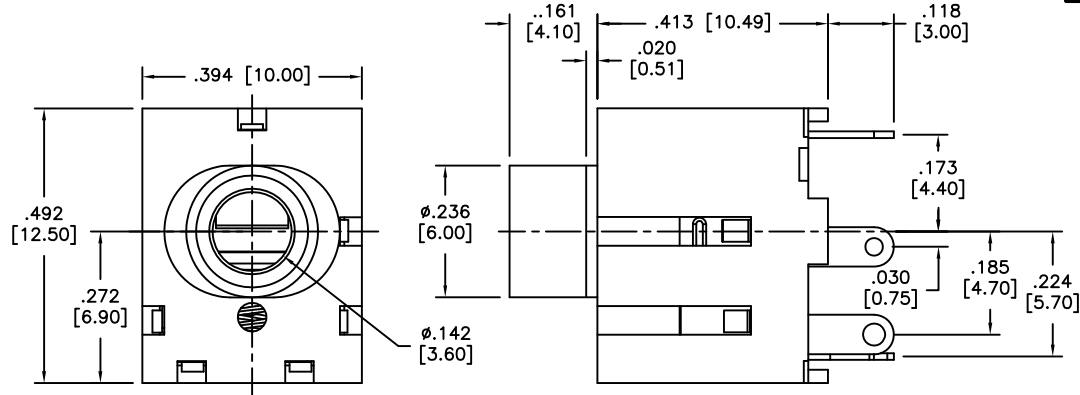


APPROVED: _____
 DATE: _____ TITLE: _____

Rev	AWO #	Description	Date	Appr
-		RELEASED	3/11/10	
A		UPDATE SPEC.	12/19/17	AY/MY
B		UPDATE SPEC. & DIM.	4/18/18	AY/RC



SPECIFICATIONS:

Material:
 Insulator: PBT, rated UL 94V-0
 Insulator color: Black
 Earth spring: Copper Alloy, Silver plated
 Tip spring: Copper Alloy, Silver over Nickel plated
 Ring spring: Copper Alloy, Silver over Nickel plated
 Shunt terminal: Copper Alloy, Silver plated
 Bushing: Copper Alloy, Nickel plated
 Spring: Stainless Steel

Electrical:
 Rating: DC 30V, 0.5A.
 Contact resistance: 30 mohms max.
 Insulation resistance: 100 Mohms min.
 Dielectric withstanding voltage: 500 VAC
 Temperature Rating:
 Operating temperature: -40°C to +85°C
 Environmental:
 Lead free, RoHS compliant.



UNLESS OTHERWISE SPECIFIED ALL DIMENSIONS ARE INCHES [MM] TOLERANCES: EXCEPT AS NOTED		ADAM TECH		909 Rahway Avenue, Union, NJ 07083 Phone: 908-687-5000 Fax: 908-687-5710	
INCHES		HOLES		TITLE	
.X ± .10	∅X ± .10	STEREO PHONE JACK, 3.5mm			
.XX ± .020	∅XX ± .015	APPROVALS		DATE	
.XXX ± .015	∅XXX ± .010	DRAWN	DY	3/11/10	
DRAWN		CHECKED			
APPROVED					
SIZE	PART NO.	REV.			
X	ASJ-109-X	B			
REF: S00002C	SCALE: NTS	SHEET 1 OF 1			