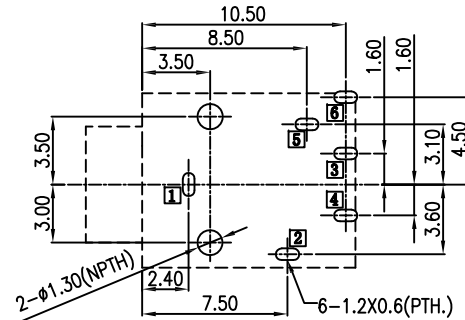
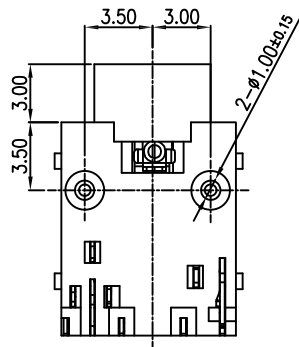
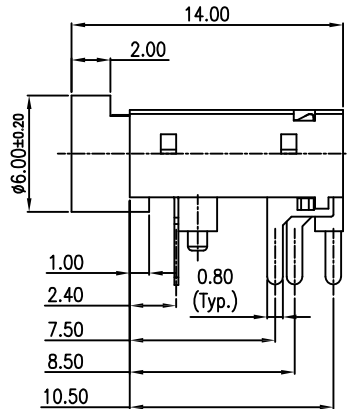
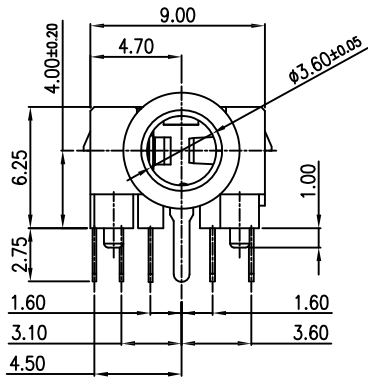
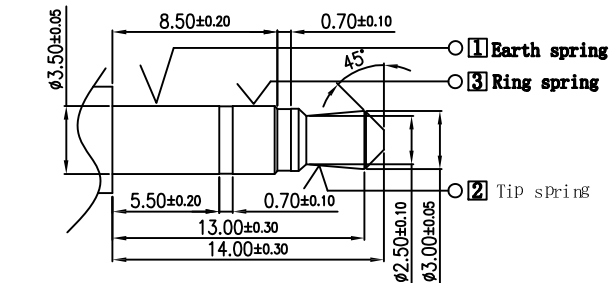


APPROVED: _____
 DATE: _____ TITLE: _____

Rev	AWO #	Description	Date	Appr
-		RELEASED	11/16/18	



RECOMMENDED PCB LAYOUT



MATE PLUG

- 1 Earth spring
- 2 Tip spring
- 3 Ring spring

Model No.	ASJ-195-V-HT	ASJ-195-L-HT	ASJ-195-B-HT	ASJ-195-C-HT	ASJ-195-D-HT
Schematic code					

SPECIFICATIONS:

Material:
 Housing: Hi-Temp Thermoplastic, rated UL94V-0, Color: Black
 Contacts: Copper Alloy
 Plating:
 Silver over Copper underplate overall
 Electrical:
 Rating: 30VDC, 0.5A
 Contact Resistance: 30 mohm max.
 Insulation Resistance: 100 Mohm min. @ 500 VDC
 Dielectric withstanding voltage: 500 VAC
 Temperature Rating:
 Operating temperature: -20°C to +70°C
 Environmental:
 Lead free, RoHS compliant.



UNLESS OTHERWISE SPECIFIED ALL DIMENSIONS ARE MILLIMETERS TOLERANCES: EXCEPT AS NOTED		
MM	ANGLE	
.X ± 0.50	X ± 5°	
.XX ± 0.30	.X ± 3°	
.XXX ± 0.15	.XX ± 2°	
APPROVALS		DATE
DRAWN	HR	11/16/18
CHECKED	AC1	11/16/18
APPROVED		

ADAM TECH
 INTERCONNECTS
 909 Rahway Avenue,
 Union, NJ 07083
 Phone: 908-687-5000
 Fax: 908-687-5710

TITLE 3.5MM STEREO PHONE JACK, RIGHT ANGLE		
SIZE X	PART NO. ASJ-195-X-HT	REV. -
REF: S00002C	SCALE: NTS	SHEET 1 OF 1