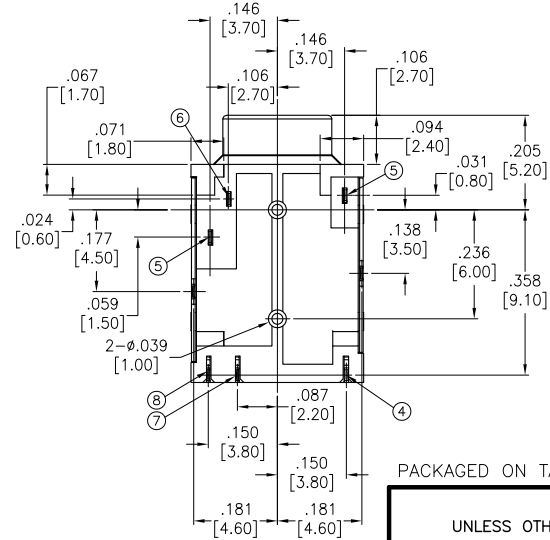
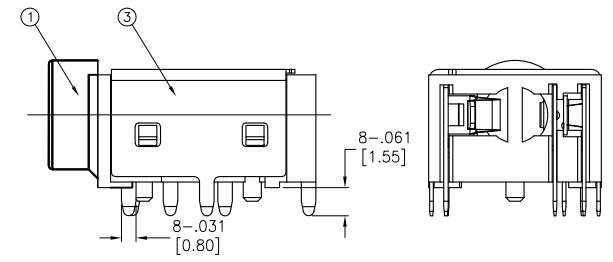
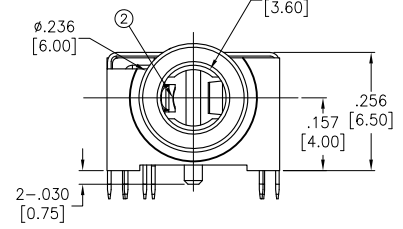
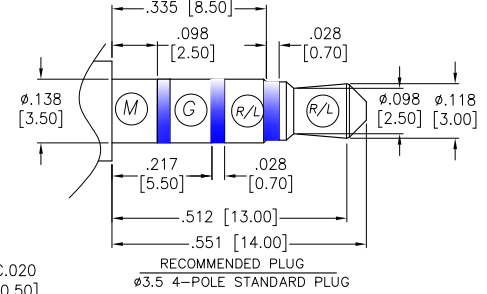
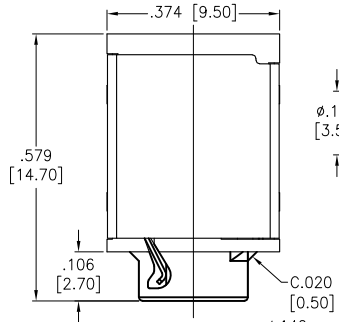
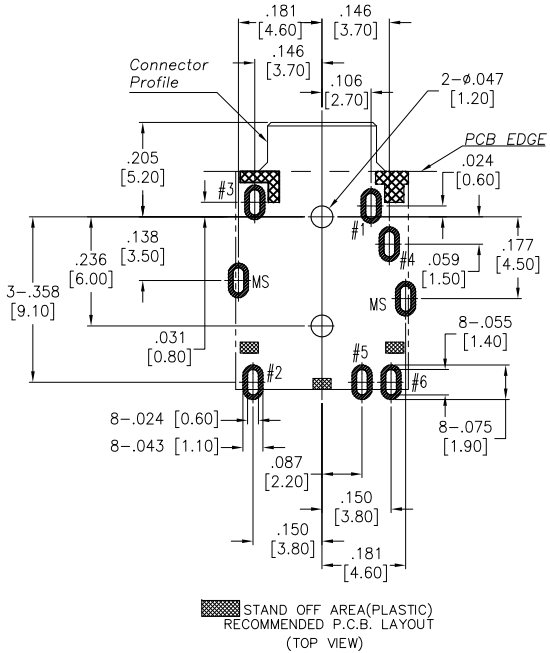
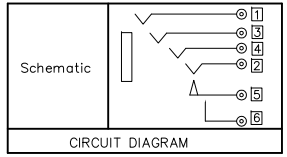


APPROVED: \_\_\_\_\_  
 DATE: \_\_\_\_\_ TITLE: \_\_\_\_\_

Rev	AWO #	Description	Date	Appr
-		RELEASED	9/27/18	
A		UPDATE DRAWING	9/9/20	AY/RC



⑧ Make spring	6 Copper Alloy	Silver Plating	
⑦ Transfer spring	5 Copper Alloy	Silver Plating	
⑥ Earth spring	1 Copper Alloy	Sel-Gold Matte	
⑤ Ring spring	3 Copper Alloy	Tin Plated	
④ Tip spring	2 Copper Alloy	Tin Plated	
③ Shell	Copper Alloy	Nickel Plating	
② Separate	High-Temp Thermoplastic (Halogen Free)	BLACK	
① Housing	High-Temp Thermoplastic (Halogen Free)	BLACK	
NO.	DESCRIPTION	MATERIAL	REMARK



□ : TERMINAL NO.

SPECIFICATIONS:  
 Electrical:  
 Rating: 30V, 0.5A  
 Contact resistance: 50 mohms max  
 Insulation resistance: 100 Mohms min @ 500 VDC  
 Dielectric withstanding voltage: 500 VAC  
 Temperature Rating:  
 Operating temperature: -20°C to +70°C  
 Environmental:  
 Lead free, RoHS compliant.



PACKAGED ON TAPE & REEL  
 UNLESS OTHERWISE SPECIFIED  
 ALL DIMENSIONS ARE INCHES [MM]  
 TOLERANCES: EXCEPT AS NOTED  
 INCHES HOLES  
 .X ± .10 Ø.X ± .10  
 .XX ± .020 Ø.XX ± .015  
 .XXX ± .015 Ø.XXX ± .010

**ADAM TECH INTERCONNECTS** 909 Rahway Avenue, Union, NJ 07083 Phone: 908-687-5000 Fax: 908-687-5710

APPROVALS		DATE
DRAWN	AY	9/27/18
CHECKED	MY	9/27/18
APPROVED		

TITLE		
STEREO JACK, 3.5MM, RIGHT ANGLE PCB MOUNT THRU HOLE		
SIZE	PART NO.	REV.
X	ASJ-192-Y-T/R	A
REF:	S00002C	SCALE: NTS SHEET 1 OF 1