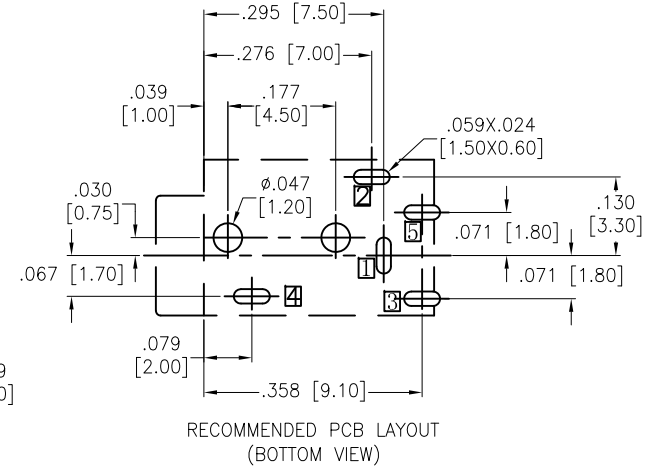
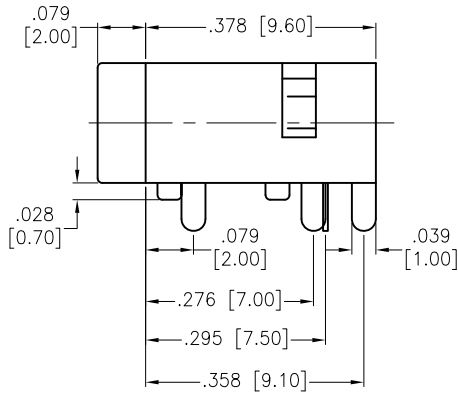
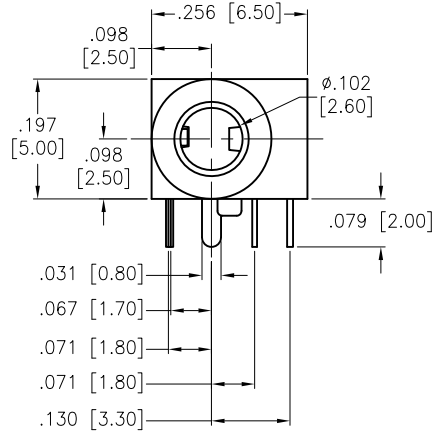
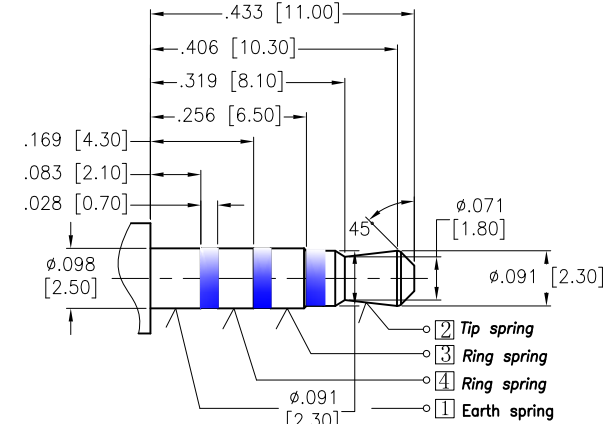
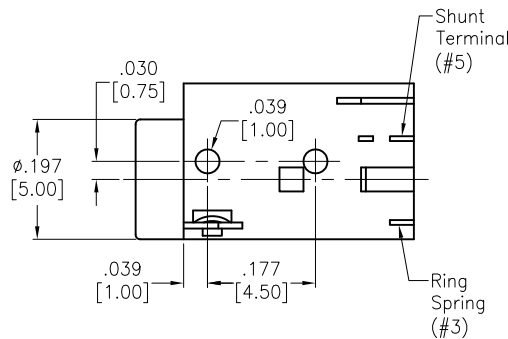


APPROVED: \_\_\_\_\_  
 DATE: \_\_\_\_\_ TITLE: \_\_\_\_\_

Rev	AWO #	Description	Date	Appr
-		RELEASED	3/16/18	
A		UPDATED LAYOUT	4/24/18	HR/MY



ADAM P/N	ASJ-190-A	ASJ-190-B	ASJ-190-C	ASJ-190-D
Schematic				



**SPECIFICATIONS:**

Material:  
 Insulator: PBT, rated UL 94V-0  
 Insulator color: Black  
 Shunt Terminal (#5): Brass  
 Ring Spring (#3): Stainless Steel  
 Spring (Other Pin): Phosphor Bronze  
 Plating:  
 Silver over Copper underplate overall  
 Electrical:  
 Rating: 30VDC, 0.5A  
 Contact resistance: 50 mohms max  
 Insulation resistance: 100 Mohms min @ 500 VDC  
 Dielectric withstanding voltage: 500 VAC  
 Temperature Rating:  
 Operating temperature: -20°C to +70°C  
 Environmental:  
 Lead free, RoHS compliant.



UNLESS OTHERWISE SPECIFIED  
 ALL DIMENSIONS ARE INCHES [MM]  
 TOLERANCES: EXCEPT AS NOTED

INCHES	HOLES
.X ± .10	Ø.X ± .10
.XX ± .020	Ø.XX ± .015
.XXX ± .015	Ø.XXX ± .010

**ADAM TECH**  
 INTERCONNECTS

909 Rahway Avenue,  
 Union, NJ 07083  
 Phone: 908-687-5000  
 Fax: 908-687-5710

APPROVALS		DATE
DRAWN	HR	3/16/18
CHECKED	MY	3/16/18
APPROVED		

TITLE		
STEREO JACK, 2.5MM, RIGHT ANGLE PCB MOUNT THRU HOLE		
SIZE	PART NO.	REV.
X	ASJ-190-X	A
REF:	S00002C	SCALE: NTS
		SHEET 1 OF 1