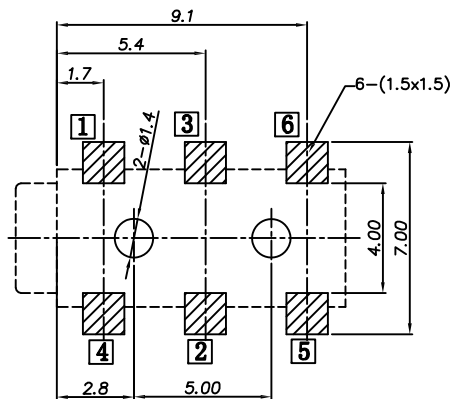
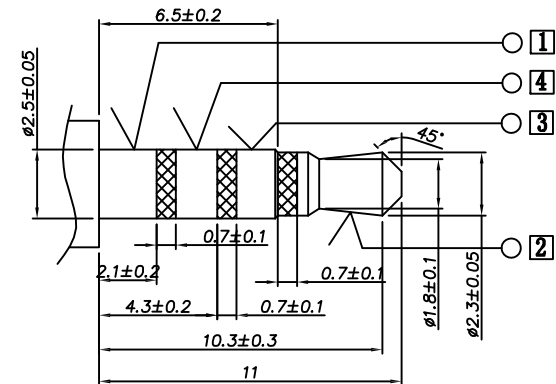
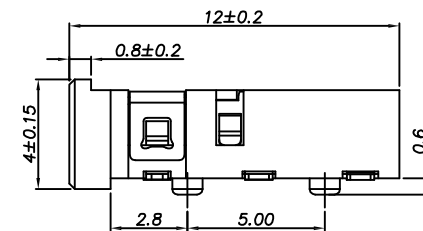
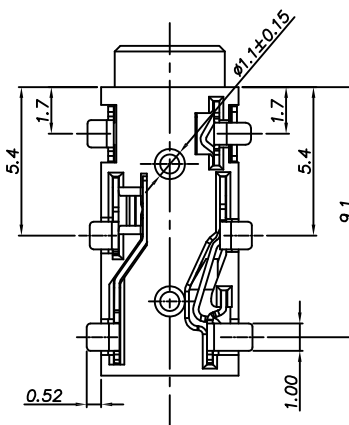
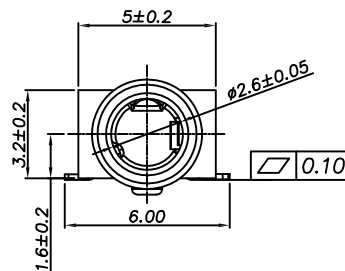


APPROVED: \_\_\_\_\_  
 DATE: \_\_\_\_\_ TITLE: \_\_\_\_\_

Rev	AWO #	Description	Date	Appr
-		RELEASED	11/16/18	



RECOMMENDED PCB LAYOUT  
(COPPER SIDE VIEW)



MATE PLUG

PACKAGED ON TAPE & REEL

Model No.	ASJ-145L-I-T/R	ASJ-145L-J-T/R	ASJ-145L-M-T/R	ASJ-145L-A-T/R	ASJ-145L-D-T/R
Schematic code					

SPECIFICATIONS:

Material:  
 Insulator: Hi-temp thermoplastic, rated UL 94V-0  
 Insulator color: Black  
 Contacts: Phosphor Bronze  
 Plating:  
 Gold flash over Nickel underplate overall  
 Electrical:  
 Rating: 30VDC, 0.5A  
 Contact resistance: 30 mohms max.  
 Insulation resistance: 100 Mohms min. @ 500 VDC  
 Dielectric withstanding voltage: 500 VAC  
 Temperature Rating:  
 Operating temperature: -20°C to +70°C  
 Environmental:  
 Lead free, RoHS compliant.



UNLESS OTHERWISE SPECIFIED ALL DIMENSIONS ARE MILLIMETERS TOLERANCES: EXCEPT AS NOTED		
MM	ANGLE	
.X ± 0.50	X ± 5°	
.XX ± 0.30	.X ± 3°	
.XXX ± 0.15	.XX ± 2°	
APPROVALS		DATE
DRAWN	HR	11/16/18
CHECKED	AC1	11/16/18
APPROVED		

**ADAM TECH** INTERCONNECTS  
 909 Rahway Avenue,  
 Union, NJ 07083  
 Phone: 908-687-5000  
 Fax: 908-687-5710

TITLE		
STEREO PHONE JACK, 2.5mm		
SIZE	PART NO.	REV.
X	ASJ-145L-X-T/R	-
REF: S00002C	SCALE: NTS	SHEET 1 OF 1