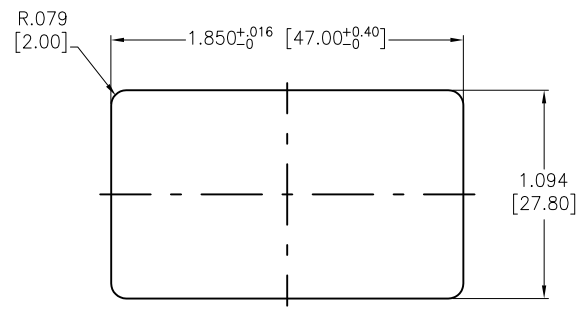
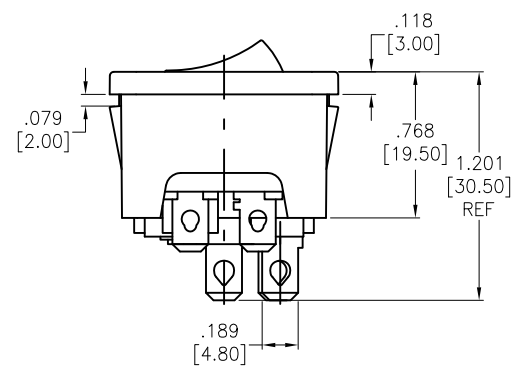
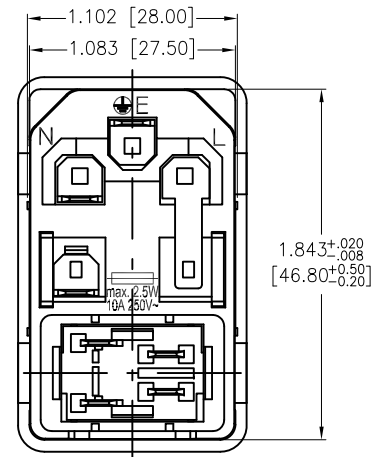
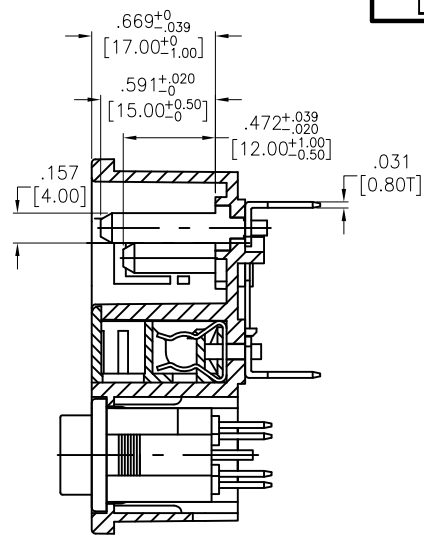
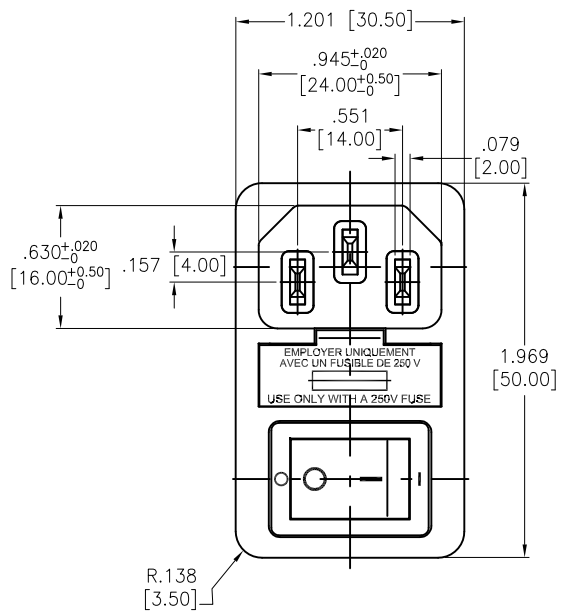


APPROVED: _____
 DATE: _____ TITLE: _____

| Rev | AWO # | Description | Date | Appr |
|-----|-------|----------------|----------|--------|
| - | | RELEASED | 12/08/09 | |
| A | | UPDATE DRAWING | 9/7/20 | LH/KC |
| B | | UPDATE DRAWING | 11/4/20 | SS |
| C | | UPDATE DRAWING | 12/11/20 | OW/KC |
| D | | UPDATE DRAWING | 6/29/21 | WX/LL1 |



SPECIFICATIONS:

Material:
 Insulator: Thermoplastic, rated UL 94V-0
 Insulator color: Black
 Contacts: Copper Alloy
 Plating:
 Tin over Copper underplate

Electrical:
 Rating: 6A 250VAC & 12A 125VAC (UL)
 4(1)A 250VAC (VDE . ENEC10)

Contact resistance: <20 mohms max (Initial)
 Insulation resistance: 100 Mohms @ 500 VDC between open contacts
 Dielectric withstanding voltage: 2,000 VAC for 1 minute

Environmental:
 Lead free, RoHS compliant. **ROHS COMPLIANT**

RECOMMENDED FUSE SIZE
 5X20mm
 2.5W, 10A, 250V
 Fuse drawer accepts 1 Fuse only

| | | |
|--|-------|----------|
| UNLESS OTHERWISE SPECIFIED ALL DIMENSIONS ARE INCHES [MM]. TOLERANCES: EXCEPT AS NOTED | | |
| INCHES | HOLES | |
| .X ± .10 | ØX | ± .10 |
| .XX ± .020 | ØXX | ± .015 |
| .XXX ± .015 | ØXXX | ± .010 |
| DRAWN | DY | 12/08/09 |
| CHECKED | | |
| APPROVED | | |
| THIS DRAWING CONTAINS INFORMATION THAT IS PROPRIETARY AND SHOULD NOT BE USED WITHOUT PRIOR WRITTEN PERMISSION FROM ADAM TECH | | |

ADAM TECH 909 Rahway Avenue, Union, NJ 07083
 Phone: 908-687-5000 Fax: 908-687-5710

TITLE: IEC CONNECTOR, ISOLATED FUSE
 2.00mm SNAP IN, .187" [4.8] QC TERMINAL

| | | |
|--------------|-----------------------|--------------|
| SIZE X | PART NO. IEC-GS-1-200 | REV. D |
| REF: S00060T | SCALE: NTS | SHEET 1 OF 1 |