

6

5

4

3

2

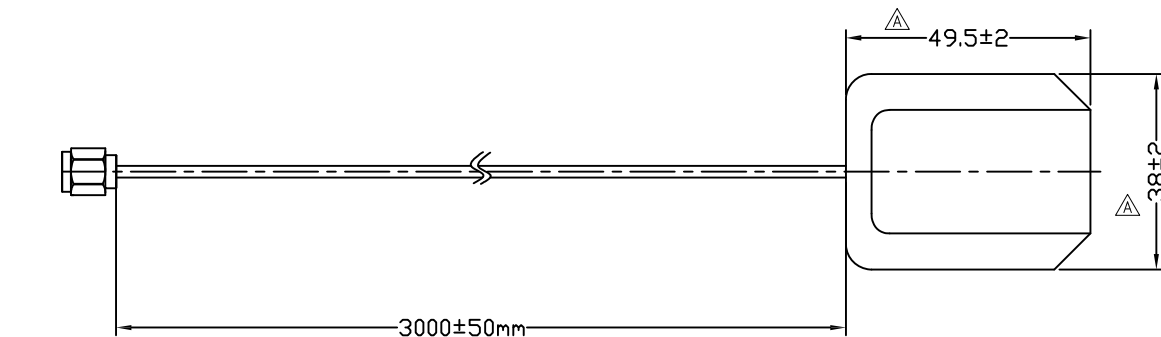
1

APPROVED: _____

DATE: _____ TITLE: _____

CUSTOM CABLE ASSEMBLIES ARE NON-CANCELLABLE / NON-RETURNABLE

Rev	AWO #	Description	Date	Appr
-		RELEASED	11/15/18	
A		UPDATE DIM.	12/23/19	AY/RC
B		ADDED SPEC.	8/18/20	AY/TW



3	CONNECTOR	SMA PLUG
2	CABLE	RG174
1	BODY	PC
ITEM	PART NAME	Material

SPECIFICATION

ELECTICAL PROPERTIES

FREQUENCY RANGE: 1575.42MHz

BANDWIDTH: ±5

VSWR: ≤1.5

PEAK GAIN: >3dBIC BASED ON 7x7CM GROUND PLANE

GAIN COVERAGE: >-4dBIC AT -90.<0<+90.(OVER75%VOLUE)

LAN GAIN: 25dB TYPICAL

POLARIZATION: LINEAR VERTICAL

NOISE FIGURE: 1.5dB

INPUT (DC): 3V~5V Δ

PHYSICAL PROPERTIES

ANTENNA BASE: PC

COLOR: BLACK

CONNECTOR: SMA ST. PR

MOUNTING: MAGNETIC

OPERATING TEMPERATURE: -40°C~+80°C

STORAGE TEMPERATURE: -45°C~+85°C

ENVIRONMENTAL:

LEAD FREE, ROHS COMPLIANT



UNLESS OTHERWISE SPECIFIED ALL DIMENSIONS ARE MILLIMETERS TOLERANCES: EXCEPT AS NOTED		ADAM TECH INTERCONNECTS		909 Rahway Avenue, Union, NJ 07083 Phone: 908-687-5000 Fax: 908-687-5710	
X ± 0.50		TITLE GPS ANTENNA			
X.X ± 0.20		SIZE PART NO. REV.			
X.XX ± 0.10		X		ANT-DK-GP1FP-GAP3M-1 B	
APPROVALS		DATE		REF: S00291T SCALE: NTS SHEET 1 OF 1	
DRAWN	AY	11/15/18			
CHECKED	AC	11/15/18			
APPROVED					

6

5

4

3

2

1