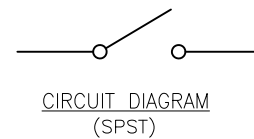
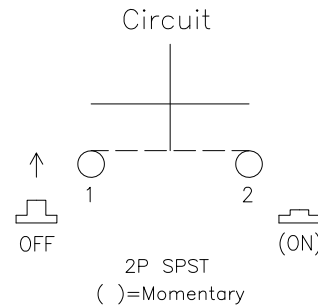
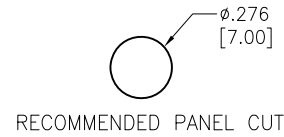
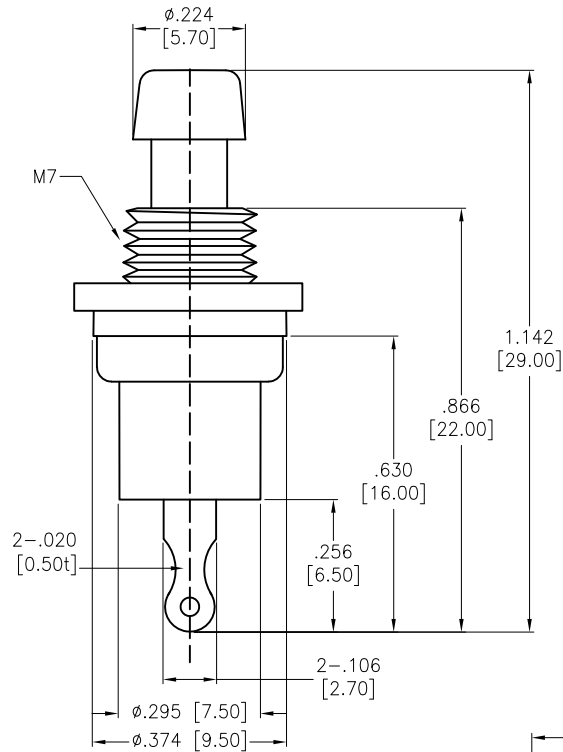


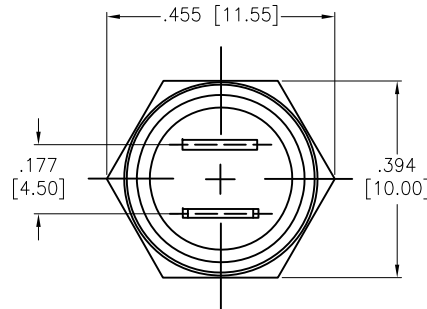
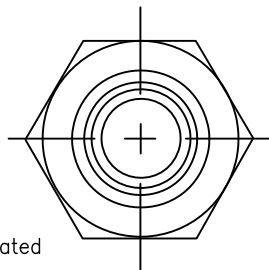
APPROVED: \_\_\_\_\_  
 DATE: \_\_\_\_\_ TITLE: \_\_\_\_\_

Rev	AWO #	Description	Date	Appr
-		RELEASED	11/23/20	
A		ADDED SPEC.	5/19/21	LH/RC



SW-PB1-1BS-A-PK1-X

NO.	Button Color
A	Black
B	Blue
C	Green
D	Red
E	White
F	Yellow



**SPECIFICATIONS:**

Material:  
 Housing: Brass, Nickel plated  
 Bottom: PBT  
 Button: POM  
 Contact: Brass, Silver plated  
 Spring: Spring steel wire  
 Electrical:  
 Rating: 0.5A, 250VAC  
 Contact resistance: 50 mΩ max  
 Insulation resistance: 100 Mohms min (500VDC)  
 Dielectric withstanding voltage: 1500 VAC for 1 minute  
 Electrical life: 10,000 Cycles min  
 Temperature Rating:  
 Operating temperature: -25°C to +85°C  
 Environmental:  
 Lead free, RoHS compliant



UNLESS OTHERWISE SPECIFIED ALL DIMENSIONS ARE INCHES [MM]. TOLERANCES: EXCEPT AS NOTED

INCHES		HOLES	
.x	± .10	∅x	± .10
.xx	± .020	∅xx	± .015
.xxx	± .015	∅xxx	± .010

DRAWN	OW	11/23/20
CHECKED	AC	11/23/20
APPROVED		

THIS DRAWING CONTAINS INFORMATION THAT IS PROPRIETARY AND SHOULD NOT BE USED WITHOUT PRIOR WRITTEN PERMISSION FROM ADAM TECH



909 Rahway Avenue,  
 Union, NJ 07083  
 Phone: 908-687-5000  
 Fax: 908-687-5710

TITLE SWITCH, PLASTIC PUSH BUTTON, SPST  
 OFF-MOMENTRAY, SOLDER TYPE

SIZE X	PART NO. SW-PB1-1BS-A-PK1-X	REV. -
REF: 800204C	SCALE: NTS	SHEET 1 OF 1