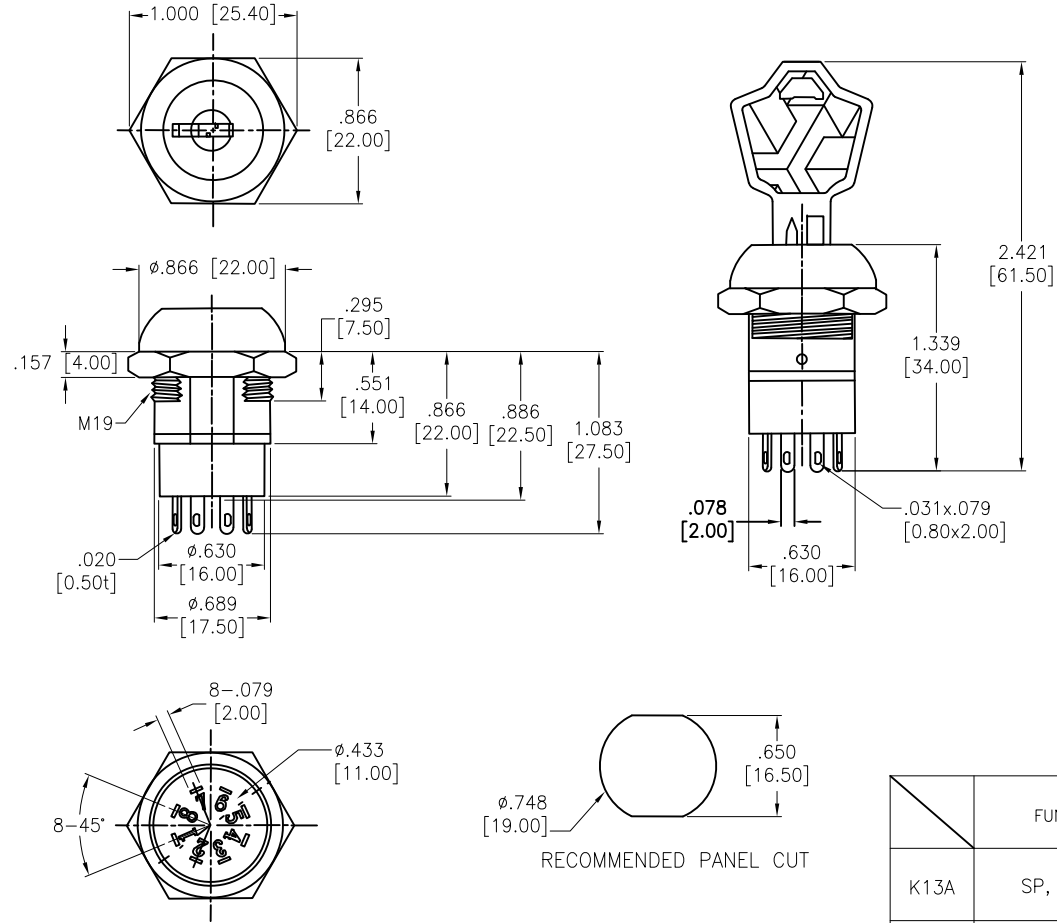


APPROVED: _____
 DATE: _____ TITLE: _____

| Rev | AWO # | Description | Date | Appr |
|-----|-------|-----------------|---------|-------|
| - | | RELEASED | 11/6/20 | |
| A | | UPDATE DRAWING. | 5/11/21 | JJ/RC |
| B | | UPDATE SPEC. | 5/18/21 | JJ/RC |
| C | | UPDATE SPEC. | 5/27/22 | WX/MC |



| ADAM TECH P/N | FUNCTION | LOCK CONFIGURATION |
|---------------|-----------|--------------------|
| SW-R-K13A-A | SP, ON-ON | 1 ● ○ 2 |
| SW-R-K13B-A | DP, ON-ON | 1 ● ● 2 |
| SW-R-K14B-B | SP, ON-ON | 1 ○ ● 2 |
| SW-R-K14BA-B | DP, ON-ON | 1 ○ ○ 2 |

● DETENT POSITION
 ○ KEY PULL POSITION

| | FUNCTION |
|------|-----------|
| K13A | SP, ON-ON |
| K13B | DP, ON-ON |

| | Function |
|---|--|
| A | Key pulled on both positions. Note: this would be our standard |
| B | Key pulled on 1 position |

SPECIFICATIONS:

Material:
 Body: Steel, Polished Chrome, Silver plated
 Electrical:
 The rated load: 125 VAC, 4A
 250 VAC, 2A
 28 VDC, 4A
 Contact resistance: 20 mΩ max
 Insulation resistance: 100 mΩ min (500VDC)
 Dielectric withstanding voltage: 1000 VAC for 1 minute
 Mechanical life: ≥10000 Cycles
 Temperature Rating:
 -20°C to +85°C
 Environmental:
 Lead free, RoHS compliant



UNLESS OTHERWISE SPECIFIED ALL DIMENSIONS ARE INCHES [MM]. TOLERANCES: EXCEPT AS NOTED

| INCHES | | HOLES | |
|--------|--------|-------|--------|
| .x | ± .10 | ∅.x | ± .10 |
| .xx | ± .020 | ∅.xx | ± .015 |
| .xxx | ± .015 | ∅.xxx | ± .010 |



909 Rahway Avenue,
 Union, NJ 07083
 Phone: 908-687-5000
 Fax: 908-687-5710

| | | |
|----------|----|---------|
| DRAWN | OW | 11/6/20 |
| CHECKED | AC | 11/6/20 |
| APPROVED | | |

| | | |
|-------|--|------|
| TITLE | SWITCH, KEY LOCK, 19MM PANEL MOUNT, SOLDER TERMINAL | |
| SIZE | PART NO. | REV. |
| X | SW-R-K13X-X | C |

THIS DRAWING CONTAINS INFORMATION THAT IS PROPRIETARY AND SHOULD NOT BE USED WITHOUT PRIOR WRITTEN PERMISSION FROM ADAM TECH

| | | | | | |
|------|---------|--------|-----|-------|--------|
| REF: | S00206C | SCALE: | NTS | SHEET | 1 OF 1 |
|------|---------|--------|-----|-------|--------|