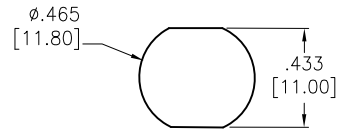
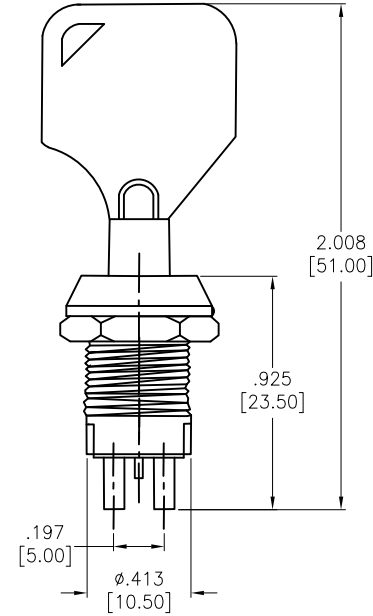
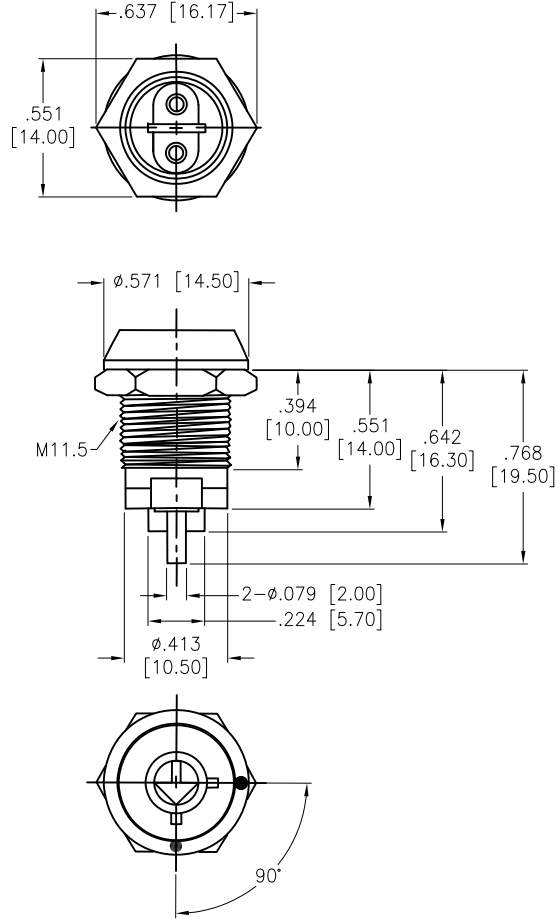


APPROVED: \_\_\_\_\_  
 DATE: \_\_\_\_\_ TITLE: \_\_\_\_\_

Rev	AWO #	Description	Date	Appr
-		RELEASED	11/10/20	
A		UPDATE DRAWING	5/12/21	JJ/RC
B		ADDED SEPC.	8/31/21	WX/RC



FUNCTION
SP, ON-OFF

ADAM-P/N	SPEC.
SW-R-K5-A	Key pulled on both positions. Note: this would be our standard
SW-R-K5-B	Key pulled on 1 position

SPECIFICATIONS:

Material:  
 Body: Steel, Polished Chrome  
 Electrical:  
 The rated load: 125 VAC, 1A  
 250 VAC, 0.5A  
 Contact resistance: 100 m $\Omega$  max  
 Insulation resistance: 100 m $\Omega$  min (500VDC)  
 Dielectric withstanding voltage: 500 VAC for 1 minute  
 Mechanical life: 5000 times max  
 Temperature Rating:  
 -25°C to +85°C  
 Environmental:  
 Lead free, RoHS compliant



UNLESS OTHERWISE SPECIFIED ALL DIMENSIONS ARE INCHES [MM]. TOLERANCES: EXCEPT AS NOTED

INCHES		HOLES	
.x	$\pm$ .10	$\phi$ .x	$\pm$ .10
.xx	$\pm$ .020	$\phi$ .xx	$\pm$ .015
.xxx	$\pm$ .015	$\phi$ .xxx	$\pm$ .010



909 Rahway Avenue,  
 Union, NJ 07083  
 Phone: 908-687-5000  
 Fax: 908-687-5710

DRAWN	OW	11/10/20
CHECKED	AC	11/10/20
APPROVED		

TITLE	SWITCH, KEY LOCK, ON-OFF PANEL MOUNT, SOLDER TERMINAL	
SIZE	PART NO.	REV.
X	SW-R-K5-X	B

THIS DRAWING CONTAINS INFORMATION THAT IS PROPRIETARY AND SHOULD NOT BE USED WITHOUT PRIOR WRITTEN PERMISSION FROM ADAM TECH

REF:	S00204C	SCALE:	NTS	SHEET	1 OF 1
------	---------	--------	-----	-------	--------