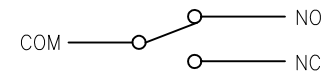
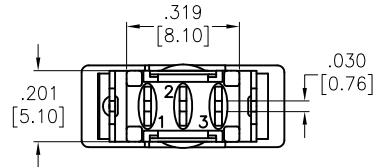
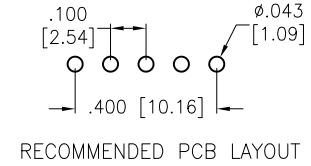
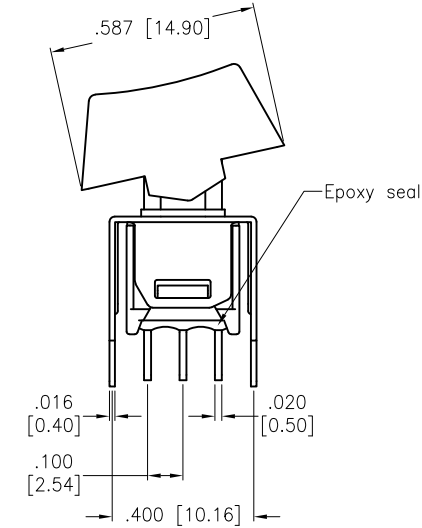
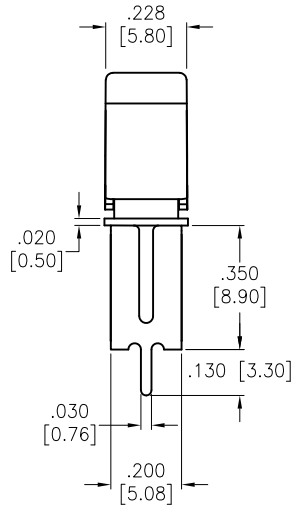


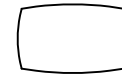
APPROVED: \_\_\_\_\_  
 DATE: \_\_\_\_\_ TITLE: \_\_\_\_\_

Rev	AWO #	Description	Date	Appr
-		RELEASED	12/17/20	
A		UPDATE TITLE	6/25/21	WX/RC



CIRCUIT DIAGRAM  
(SPDT) ON-ON

SWITCH MARKINGS



SPECIFICATIONS:

Material:  
 Movable contact: Copper Alloy, Silver plated  
 Terminals: Copper Alloy, Silver plated  
 Cap Actuator: Plastic, color Black  
 Electrical:  
 Rating: 3 Amps with resistive load @ 125VAC or 28VDC  
 1.5 Amps with resistive load @ 250VAC  
 Contact resistance: 20 mohms max initial  
 Insulation resistance: 1,000 Mohms min  
 Dielectric withstanding voltage: 1500V RMS @ sea level  
 Electrical life: 30,000 make and break cycles at full load  
 Temperature Rating:  
 Operating temperature: -30°C to +85°C  
 Environmental:  
 Lead free, RoHS compliant



UNLESS OTHERWISE SPECIFIED  
 ALL DIMENSIONS ARE INCHES [MM]  
 TOLERANCES: EXCEPT AS NOTED

INCHES		HOLES	
.X	± .10	Ø.X	± .10
.XX	± .020	Ø.XX	± .015
.XXX	± .015	Ø.XXX	± .010

**ADAM**  
**TECH**

909 Rahway Avenue,  
 Union, NJ 07083  
 Phone: 908-687-5000  
 Fax: 908-687-5710

TITLE  
 SUB-MINIATURE ROCKER SWITCH, SPDT, ON-ON,  
 PCB VERTICAL MOUNTING TYPE, SMALL BLACK ROCKER

APPROVALS		DATE
DRAWN	OW	12/17/20
CHECKED	AC	12/17/20
APPROVED		

SIZE	PART NO.	REV.
X	SW-R3-2B-B-SB5-13	A
REF:	S00198T	SCALE: NTS
		SHEET 1 OF 1