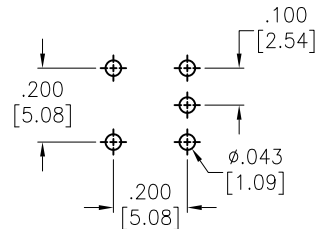
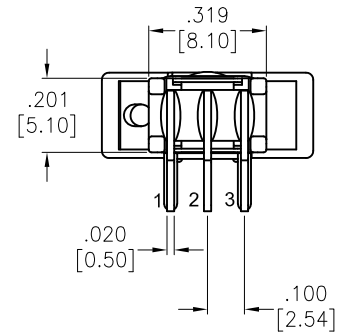
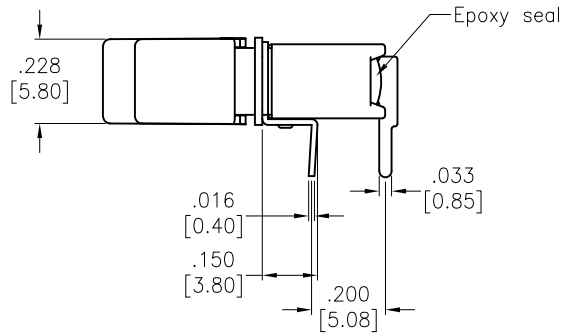
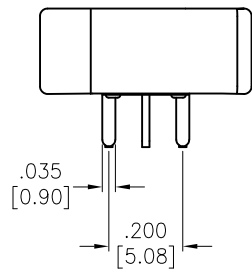
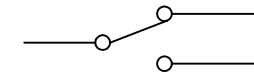


APPROVED: _____
 DATE: _____ TITLE: _____

Rev	AWO #	Description	Date	Appr
-		RELEASED	12/23/20	



RECOMMENDED PCB LAYOUT



CIRCUIT DIAGRAM
(SPDT) ON-ON

SWITCH MARKINGS



SPECIFICATIONS:

Material:
 Movable contact: Copper Alloy, Gold plated over Nickel plated
 Terminals: Copper Alloy, Gold plated over Nickel plated
 Electrical:
 Rating: 0.4VA max @ 20V max (AC or DC)
 Contact resistance: 20 mohms max initial
 Insulation resistance: 1,000 Mohms min
 Dielectric withstanding voltage: 1500V RMS @ sea level
 Electrical life: 30,000 make and break cycles at full load
 Temperature Rating:
 Operating temperature: -30°C to +85°C
 Environmental:
 Lead free, RoHS compliant



UNLESS OTHERWISE SPECIFIED ALL DIMENSIONS ARE INCHES [MM] TOLERANCES: EXCEPT AS NOTED		 909 Rahway Avenue, Union, NJ 07083 Phone: 908-687-5000 Fax: 908-687-5710	
INCHES HOLES			
.X ± .10	Ø.X ± .10	TITLE SWITCH, SUB MINIATURE ROCKER, SPDT, ON-ON, PCB RIGHT ANGLE, SMALL BLACK	
.XX ± .020	Ø.XX ± .015		
.XXX ± .015	Ø.XXX ± .010		
APPROVALS		DATE	
DRAWN	OW	12/23/20	
CHECKED	AC	12/23/20	
APPROVED			
SIZE	PART NO.	REV.	
X	SW-R3-2B-C-SB5-G-13	-	
REF:	S00198T	SCALE:	NTS
		SHEET 1 OF 1	