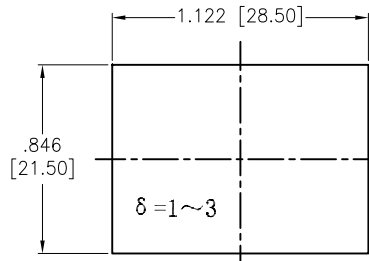
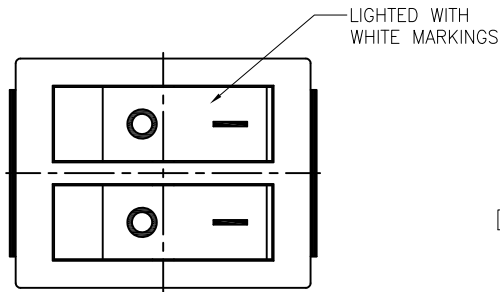
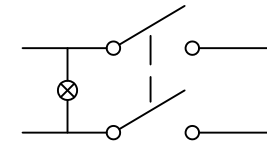


APPROVED: \_\_\_\_\_  
 DATE: \_\_\_\_\_ TITLE: \_\_\_\_\_

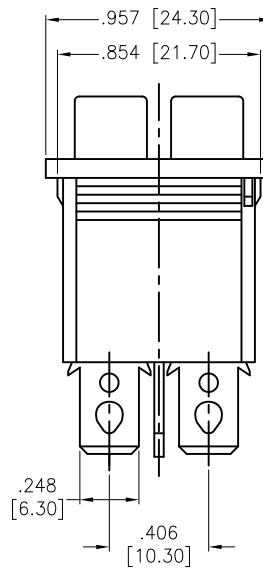
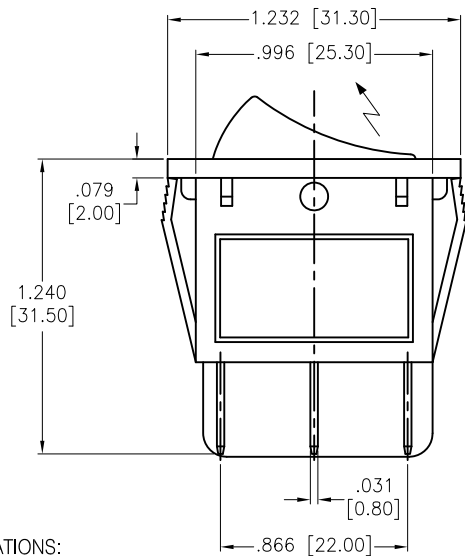
Rev	AWO #	Description	Date	Appr
-		RELEASED	10/29/20	
A		UPDATE SPEC.	8/31/21	WX/RC



RECOMMENDED  
PANEL CUT-OUT



CIRCUIT DIAGRAM  
(DPST) ON-OFF



SW-R1-3A-E-LXX-2A

Lighted Actuator		Actuator Markings	
W	Lighted White	1	
R	Lighted Red	2	
G	Lighted Green	3	
Y	Lighted Yellow (Amber)	4	
B	Lighted Blue	5	
O	Lighted Orange	6	

Replace "x" in P/N with the corresponding switch color and marking

**SPECIFICATIONS:**

Material:  
 Body: Nylon 66, Color Black, Rated UL 94V-0  
 Terminal: Brass, Silver plated  
 Button: Nylon 66, Lighted color (See Chart). White color markings  
 Electrical:  
 The rated load: 250V AC, 16A  
 125V AC, 20A  
 Contact resistance: 50 mohms max  
 Insulation resistance: 100 Mohms min  
 Dielectric withstanding voltage: 1500 VAC/5S min  
 Mechanical:  
 Electrical life: 10000 Cycles min  
 Temperature Rating:  
 Operating temperature: -25°C to +85°C  
 Environmental:  
 Lead free, RoHS compliant



UNLESS OTHERWISE SPECIFIED ALL DIMENSIONS ARE INCHES [MM] TOLERANCES: EXCEPT AS NOTED INCHES HOLES .X ± .10 Ø.X ± .10 .XX ± .020 Ø.XX ± .015 .XXX ± .015 Ø.XXX ± .010		<b>ADAM TECH</b> 909 Rahway Avenue, Union, NJ 07083 Phone: 908-687-5000 Fax: 908-687-5710	
APPROVALS DRAWN OW 10/29/20 CHECKED AC 10/29/20 APPROVED		TITLE <b>SWITCH, MEDIUM ROCKER</b> <b>DPST, ON-OFF, QC .250 [6.35MM], LIGHTED</b>	
SIZE <b>X</b>	PART NO. <b>SW-R1-3A-E-LXX-2A</b>	REV. <b>A</b>	REF: -
SCALE: NTS		SHEET 1 OF 1	