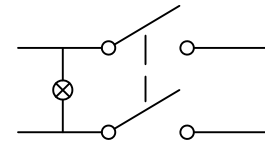
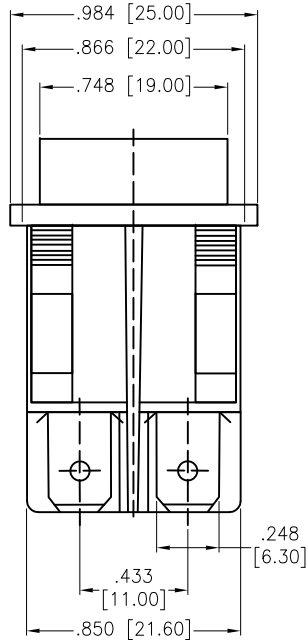
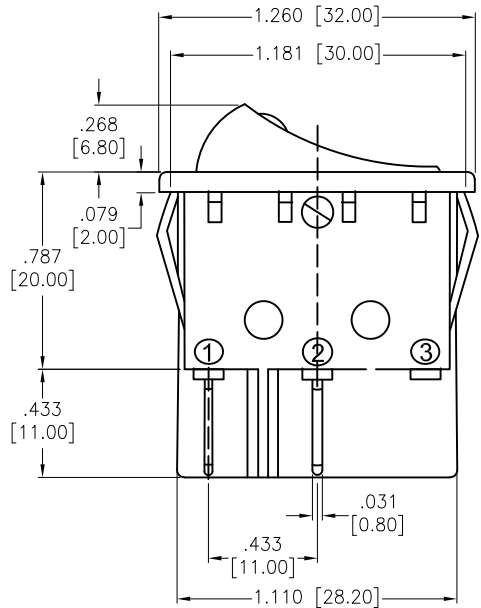


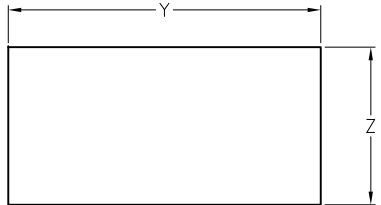
APPROVED: _____
 DATE: _____ TITLE: _____

Rev	AWO #	Description	Date	Appr
-		RELEASED	10/29/20	



CIRCUIT DIAGRAM
(DPST) ON-OFF

SW-R1-3A-E-LXX-2



RECOMMENDED
PANEL CUT-OUT

X	Y	Z
.030~.049 [0.75~1.25]	1.181 [30.00]	.866 [22.00]
.049~.079 [1.25~2.00]	1.185 [30.10]	.866 [22.00]
.079~.118 [2.00~3.00]	1.189 [30.20]	.866 [22.00]

X: PANEL THICKNESS

	Lighted Actuator
W	Lighted White
R	Lighted Red
G	Lighted Green
Y	Lighted Yellow (Amber)
B	Lighted Blue
O	Lighted Orange

	Actuator Markings
1	
2	
3	
4	
5	
6	

Replace "x" in P/N with the corresponding switch color and marking

SPECIFICATIONS:

Material:
 Body: Nylon 66, Color Black, Rated UL 94V-0
 Terminal: Brass, Silver plated
 Button: Nylon 66, Lighted color (See Chart). White color markings

Electrical:
 The rated load: 250V AC, 15A
 125V AC, 20A
 Contact resistance: 35 mohms max
 Insulation resistance: 100mΩ min (500VDC)
 Dielectric withstanding voltage: 1500 VAC for 1 minute

Mechanical:
 Electrical life: 10000 Cycles min
 Temperature Rating:
 Operating temperature: -25°C to +85°C

Environmental:
 Lead free, RoHS compliant



UNLESS OTHERWISE SPECIFIED ALL DIMENSIONS ARE INCHES [MM]. TOLERANCES: EXCEPT AS NOTED		
INCHES		HOLES
.X ±.10		∅X ±.10
.XX ±.020		∅XX ±.015
.XXX ±.015		∅XXX ±.010

ADAM TECH

909 Rahway Avenue,
 Union, NJ 07083
 Phone: 908-687-5000
 Fax: 908-687-5710

DRAWN	OW	10/29/20
CHECKED	AC	10/29/20
APPROVED		

TITLE: SWITCH, MEDIUM ROCKER, DOT ILLUMINATED
 DPST, ON-OFF, QC .250 [6.35MM], LIGHTED

THIS DRAWING CONTAINS INFORMATION THAT IS PROPRIETARY AND SHOULD NOT BE USED WITHOUT PRIOR WRITTEN PERMISSION FROM ADAM TECH

SIZE	PART NO.	REV.
X	SW-R1-3A-E-LXX-2	-
REF:	S00204C	SCALE: NTS SHEET 1 OF 1