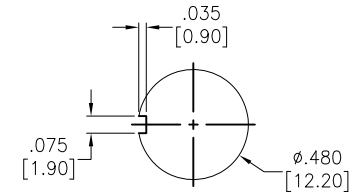
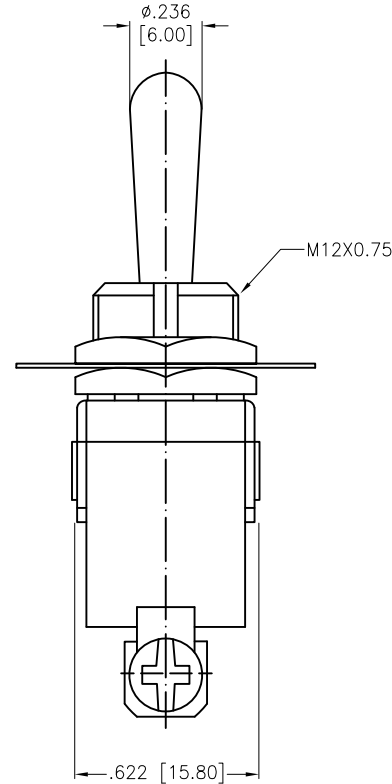
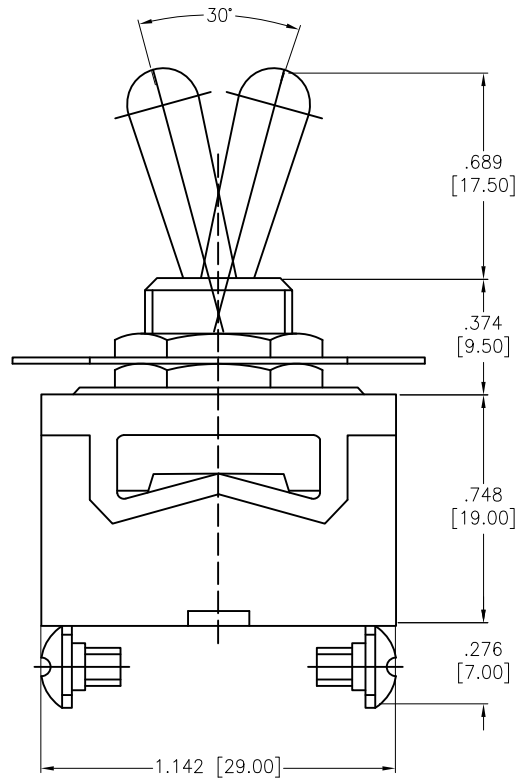
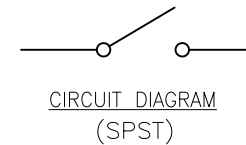


APPROVED: \_\_\_\_\_  
 DATE: \_\_\_\_\_ TITLE: \_\_\_\_\_

| Rev | AWO # | Description  | Date     | Appr  |
|-----|-------|--------------|----------|-------|
| -   |       | RELEASED     | 11/11/20 |       |
| A   |       | UPDATE SPEC. | 8/10/21  | WX/RC |



RECOMMENDED  
 PANEL CUT-OUT



SW-T1-1X-D-K1  
 A=ON-OFF  
 C=OFF-(ON)

**SPECIFICATIONS:**

Material:  
 Body: Bakelite, Color: Black  
 Lever: Brass, Nickel plated  
 Terminal: Brass, Silver plated  
 Electrical:  
 Rating: 10A @ 250V AC  
 15A @ 125V AC  
 Contact resistance: 50 mΩ max  
 Insulation resistance: 1000 MΩ min (500VDC)  
 Dielectric withstanding voltage: 1500V AC for 1 minute  
 Electrical Life: 10,000 cycles  
 Temperature Rating:  
 Operating temperature: -25°C to +85°C  
 Environmental:  
 Lead free, RoHS compliant



UNLESS OTHERWISE SPECIFIED ALL DIMENSIONS ARE INCHES [MM]. TOLERANCES: EXCEPT AS NOTED

| INCHES |        | HOLES |        |
|--------|--------|-------|--------|
| .X     | ± .10  | ØX    | ± .10  |
| .XX    | ± .020 | ØXX   | ± .015 |
| .XXX   | ± .015 | ØXXX  | ± .010 |

**ADAM TECH** 909 Rahway Avenue,  
 Union, NJ 07083  
 Phone: 908-687-5000  
 Fax: 908-687-5710

|          |    |          |
|----------|----|----------|
| DRAWN    | OW | 11/11/20 |
| CHECKED  | AC | 11/11/20 |
| APPROVED |    |          |

TITLE SWITCH, TOGGLE MEDIUM, SPST,  
 ON-OFF, OFF-(ON), SCREW LUG

THIS DRAWING CONTAINS INFORMATION THAT IS PROPRIETARY AND SHOULD NOT BE USED WITHOUT PRIOR WRITTEN PERMISSION FROM ADAM TECH

|              |                           |              |
|--------------|---------------------------|--------------|
| SIZE<br>X    | PART NO.<br>SW-T1-1X-D-K1 | REV.<br>A    |
| REF: S00204C | SCALE: NTS                | SHEET 1 OF 1 |