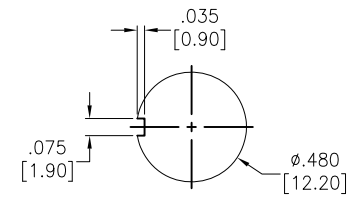
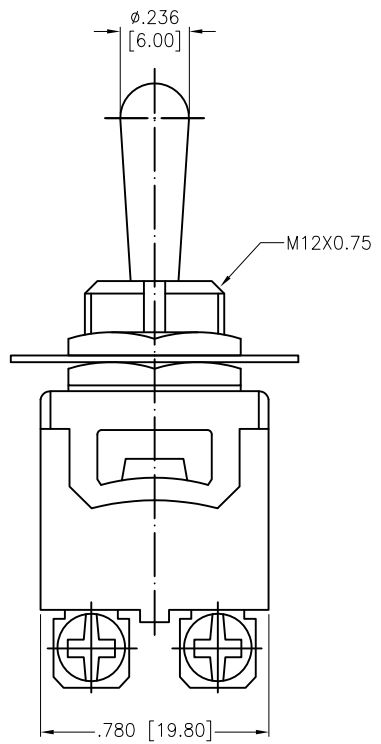
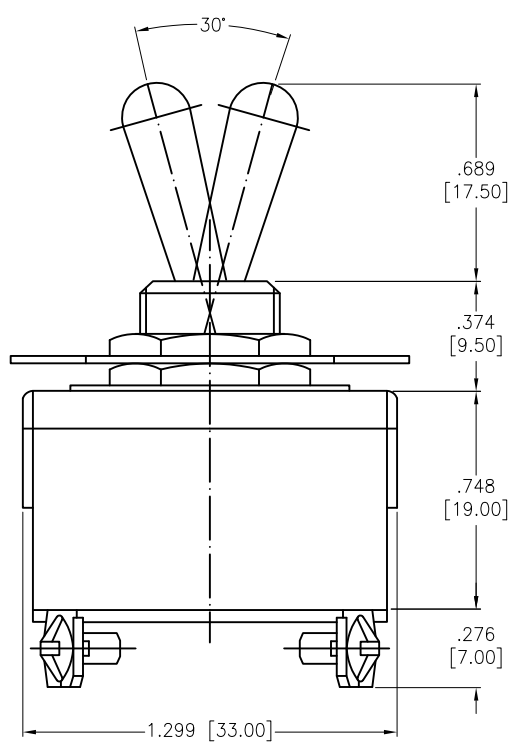
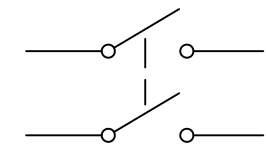


Rev	AWO #	Description	Date	Appr
-		RELEASED	11/12/20	

APPROVED: _____
DATE: _____ TITLE: _____



RECOMMENDED
PANEL CUT-OUT



CIRCUIT DIAGRAM
(DPST)

SW-T1-3X-D-K2
A=ON-OFF
C=OFF-(ON)

SPECIFICATIONS:

Material:
Body: Bakelite, Color: Black
Lever: Brass, Nickel plated
Terminal: Brass, Silver plated
Electrical:
Rating: 10A @ 250V AC
15A @ 125V AC
Contact resistance: 50 mΩ max
Insulation resistance: 1000 MΩ min (500VDC)
Dielectric withstanding voltage: 1500V AC for 1 minute
Electrical Life: 10,000 cycles
Temperature Rating:
Operating temperature: -25°C to +85°C
Environmental:
Lead free, RoHS compliant



UNLESS OTHERWISE SPECIFIED ALL DIMENSIONS ARE INCHES [MM]. TOLERANCES: EXCEPT AS NOTED

INCHES		HOLES	
.X	± .10	∅.X	± .10
.XX	± .020	∅.XX	± .015
.XXX	± .015	∅.XXX	± .010

DRAWN	OW	11/12/20
CHECKED	AC	11/12/20
APPROVED		

THIS DRAWING CONTAINS INFORMATION THAT IS PROPRIETARY AND SHOULD NOT BE USED WITHOUT PRIOR WRITTEN PERMISSION FROM ADAM TECH

ADAM TECH

909 Rahway Avenue,
Union, NJ 07083
Phone: 908-687-5000
Fax: 908-687-5710

TITLE	SWITCH, TOGGLE MEDIUM, DPST, ON-OFF, OFF-(ON), SCREW LUG	
SIZE	PART NO.	REV.
X	SW-T1-3X-D-K2	-
REF:	S00204C	SCALE: NTS SHEET 1 OF 1