

6

5

4

3

2

1

APPROVED: _____

DATE: _____ TITLE: _____

Rev	AWO #	Description	Date	Appr
-		RELEASED	11/16/20	

D

D

C

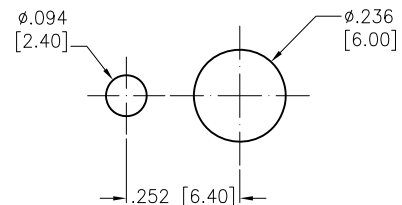
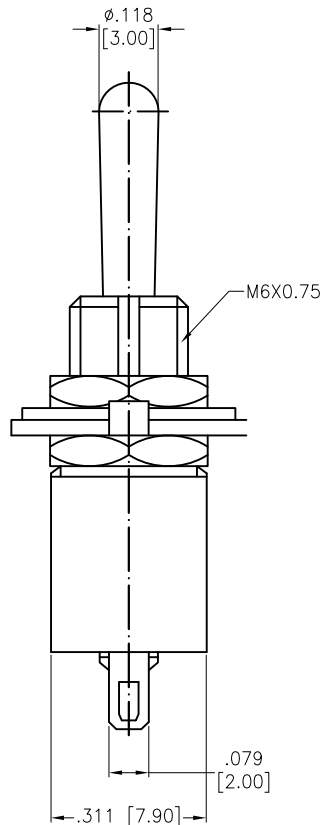
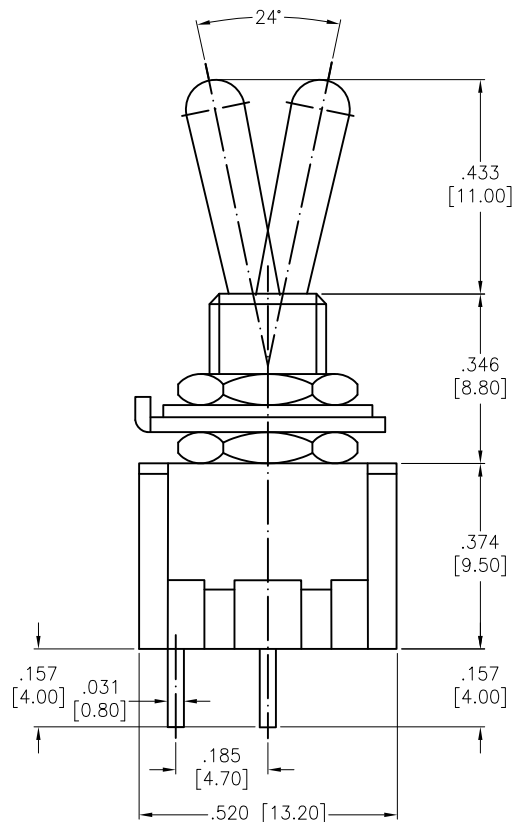
C

B

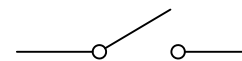
B

A

A



RECOMMENDED PANEL CUT-OUT



CIRCUIT DIAGRAM (SPST)

SW-T2-1X-A-A2-M1
 A=ON-OFF
 C=OFF-(ON)

SPECIFICATIONS:

Material:

Body: Bakelite, Color: Black

Lever: Brass, Nickel plated

Terminal: Brass, Silver plated

Electrical:

Rating: 3A @ 250V AC

6A @ 125V AC

Contact resistance: 20 mΩ max

Insulation resistance: 1000 MΩ min (500VDC)

Dielectric withstanding voltage: 1500V AC for 1 minute

Electrical Life: 6,000 cycles

Temperature Rating:

Operating temperature: -25°C to +85°C

Environmental:

Lead free, RoHS compliant



UNLESS OTHERWISE SPECIFIED ALL DIMENSIONS ARE INCHES [MM]. TOLERANCES: EXCEPT AS NOTED		
INCHES	HOLES	
.X ± .10	ØX ± .10	
.XX ± .020	ØXX ± .015	
.XXX ± .015	ØXXX ± .010	
DRAWN	OW	11/16/20
CHECKED	AC	11/16/20
APPROVED		
THIS DRAWING CONTAINS INFORMATION THAT IS PROPRIETARY AND SHOULD NOT BE USED WITHOUT PRIOR WRITTEN PERMISSION FROM ADAM TECH		

ADAM TECH	909 Rahway Avenue, Union, NJ 07083 Phone: 908-687-5000 Fax: 908-687-5710	
	TITLE SWITCH, TOGGLE MINIATURE, SPST, ON-OFF, OFF-(ON), SOLDER TYPE	
SIZE X	PART NO. SW-T2-1X-A-A2-M1	REV. -
REF: S00204C	SCALE: NTS	SHEET 1 OF 1

6

5

4

3

2

1