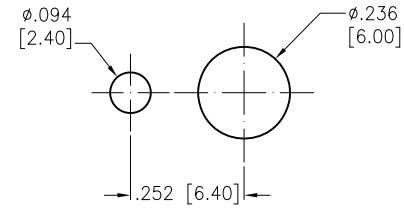
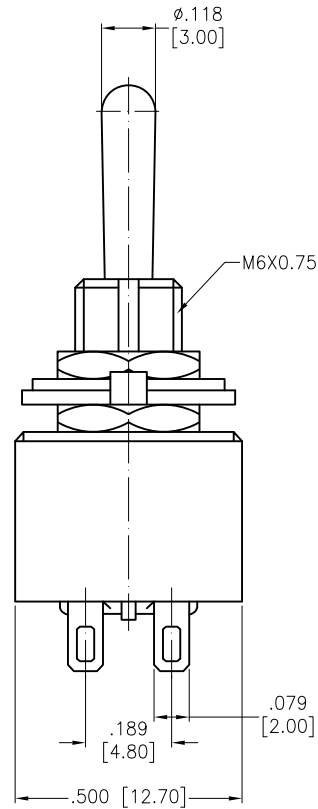
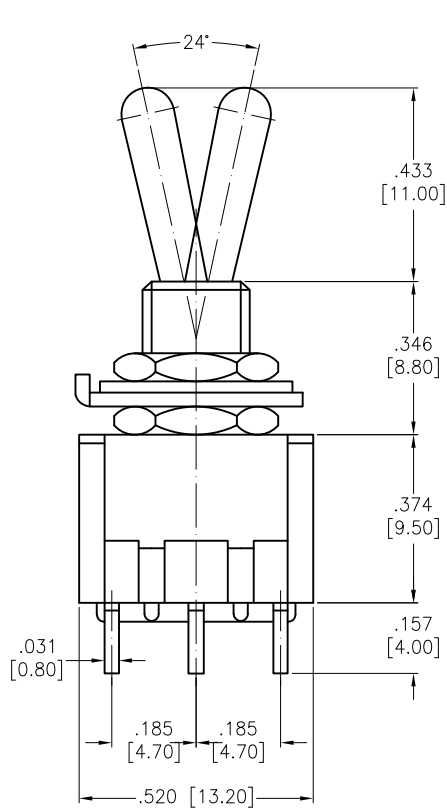
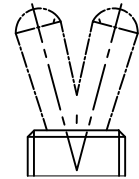
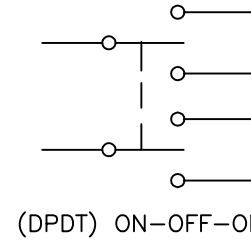


APPROVED: _____
 DATE: _____ TITLE: _____

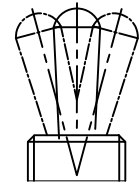
Rev	AWO #	Description	Date	Appr
-		RELEASED	8/11/21	
A		UPDATED SPEC.	5/27/22	JJ/MC
B		UPDATED SPEC.	11/22/22	WX/AC1



RECOMMENDED
 PANEL CUT-OUT



2 WAY



3 WAY

SW-T2-4X-A-A2-MA2

- B=ON-ON (2 WAY)
- D=ON-(ON) (2 WAY)
- E=ON-OFF-ON (3 WAY)
- F=ON-OFF-(ON) (3 WAY)
- G=(ON)-OFF-(ON) (3 WAY)
- H=ON-ON-ON (3 WAY)

SPECIFICATIONS:

Material:
 Body: Bakelite, Color: Red **B**
 Lever: Brass, Nickel plated
 Terminal: Brass, Silver plated
 Electrical:
 Rating: 3A @ 250V AC
 6A @ 125V AC
 Contact resistance: 20 mΩ max
 Insulation resistance: 1000 MΩ min (500VDC)
 Dielectric withstanding voltage: 1500V AC for 1 minute
 Electrical Life: 10,000 cycles
 Temperature Rating:
 Operating temperature: -25°C to +85°C
 Environmental:
 Lead free, RoHS compliant



UNLESS OTHERWISE SPECIFIED ALL DIMENSIONS
 ARE INCHES [MM]. TOLERANCES: EXCEPT AS NOTED

INCHES		HOLES	
.X	± .10	∅X	± .10
.XX	± .020	∅XX	± .015
.XXX	± .015	∅XXX	± .010

DRAWN	JJ	8/11/21
CHECKED	RC	8/11/21
APPROVED		

THIS DRAWING CONTAINS INFORMATION THAT IS PROPRIETARY
 AND SHOULD NOT BE USED WITHOUT PRIOR WRITTEN
 PERMISSION FROM ADAM TECH



909 Rahway Avenue,
 Union, NJ 07083
 Phone: 908-687-5000
 Fax: 908-687-5710

TITLE		
SWITCH, TOGGLE MINIATURE, DPDT, ON-OFF-ON, SOLDER TYPE		

SIZE X	PART NO. SW-T2-4X-A-A2-MA2	REV. B
REF: -	SCALE: NTS	SHEET 1 OF 1