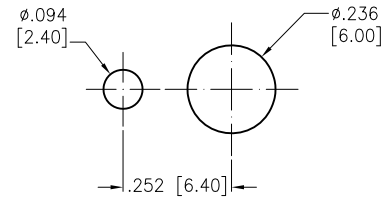
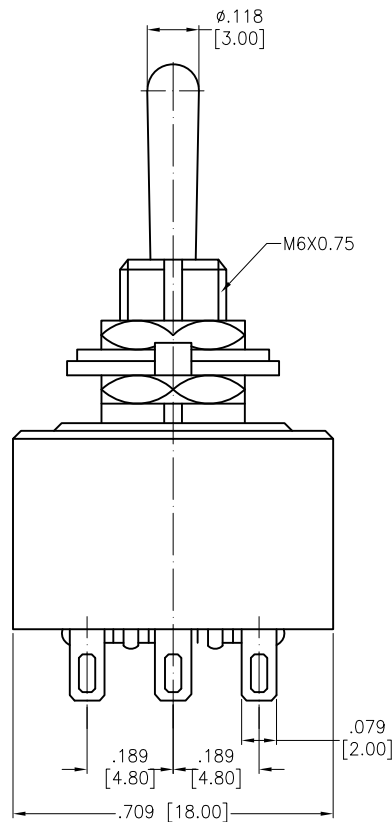
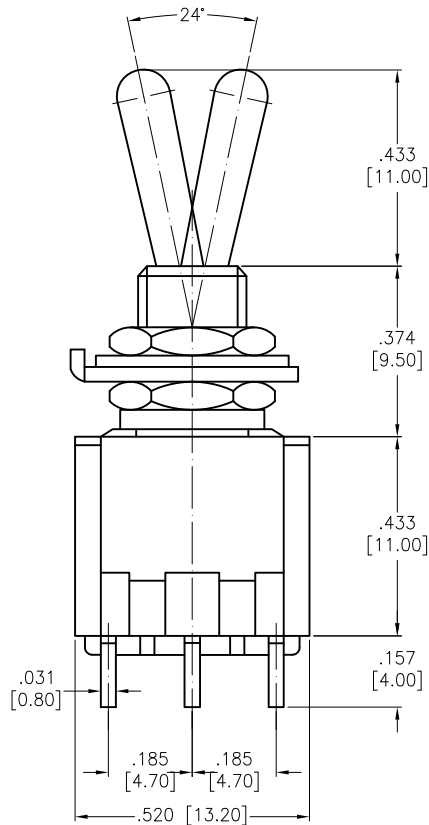


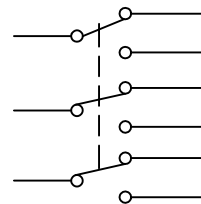
APPROVED: \_\_\_\_\_

DATE: \_\_\_\_\_ TITLE: \_\_\_\_\_

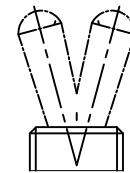
Rev	AWO #	Description	Date	Appr
-		RELEASED	11/18/20	
A		UPDATE SPEC.	8/11/21	JJ/RC



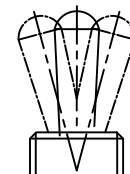
RECOMMENDED  
PANEL CUT-OUT



(3PDT) ON-OFF-ON



2 WAY



3 WAY

SW-T2-6X-A-A2-M3

B=ON-ON (2 WAY)

E=ON-OFF-ON (3 WAY)

**SPECIFICATIONS:**

Material:

Body: Bakelite, Color: Black

Lever: Brass, Nickel plated

Terminal: Brass, Silver plated

Electrical:

Rating: 3A @ 250V AC

6A @ 125V AC

Contact resistance: 20 mΩ max

Insulation resistance: 1000 MΩ min (500VDC)

Dielectric withstanding voltage: 1500V AC for 1 minute

Electrical Life: 10,000 cycles

Temperature Rating:

Operating temperature: -25°C to +85°C

Environmental:

Lead free, RoHS compliant



UNLESS OTHERWISE SPECIFIED ALL DIMENSIONS  
ARE INCHES [MM]. TOLERANCES: EXCEPT AS NOTED

INCHES	Holes
.X ± .10	Ø.X ± .10
.XX ± .020	Ø.XX ± .015
.XXX ± .015	Ø.XXX ± .010

DRAWN OW 11/18/20

CHECKED AC 11/18/20

APPROVED

THIS DRAWING CONTAINS INFORMATION THAT IS PROPRIETARY  
AND SHOULD NOT BE USED WITHOUT PRIOR WRITTEN  
PERMISSION FROM ADAM TECH



909 Rahway Avenue,  
Union, NJ 07083  
Phone: 908-687-5000  
Fax: 908-687-5710

TITLE SWITCH, TOGGLE MINIATURE, 3PDT,  
ON-OFF-ON, SOLDER TYPE

SIZE X PART NO. SW-T2-6X-A-A2-M3 REV. -

REF: - SCALE: NTS SHEET 1 OF 1