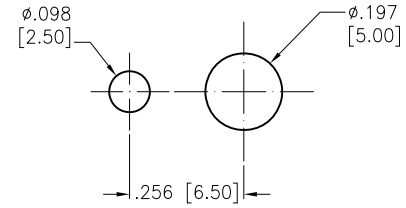
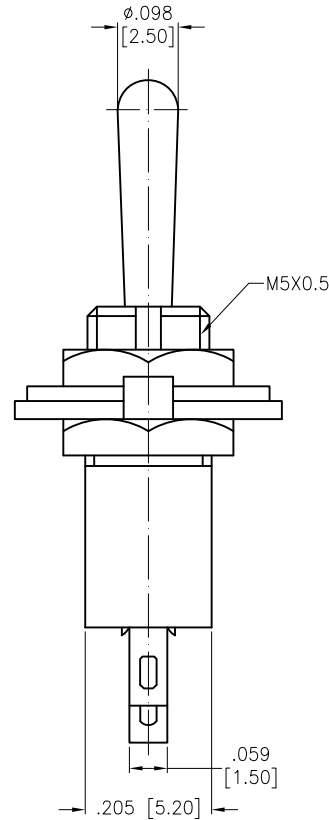
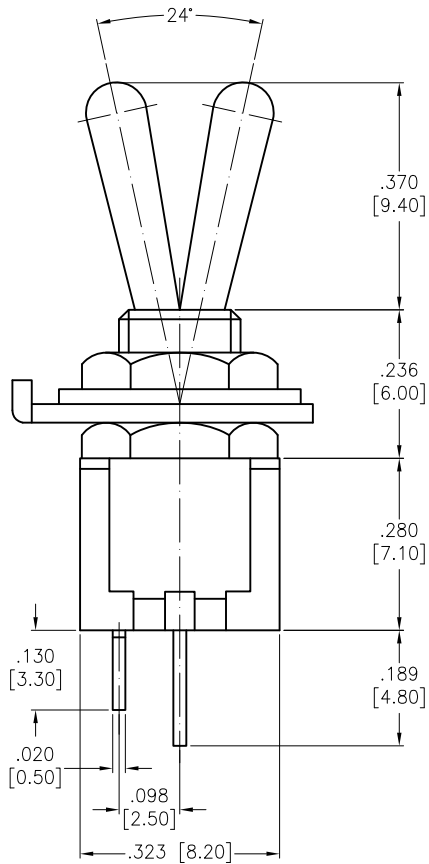
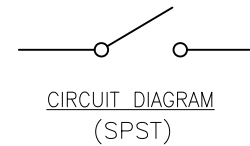


APPROVED: _____
 DATE: _____ TITLE: _____

Rev	AWO #	Description	Date	Appr
-		RELEASED	11/18/20	



RECOMMENDED
 PANEL CUT-OUT



SPECIFICATIONS:

Material:
 Body: PA66, Color: Black
 Lever: Brass, Nickel plated
 Terminal: Brass, Silver plated
 Electrical:
 Rating: 1.5A @ 250V AC
 3A @ 125V AC
 Contact resistance: 20 mΩ max
 Insulation resistance: 1000 MΩ min (500VDC)
 Dielectric withstanding voltage: 1000V AC for 1 minute
 Electrical Life: 10,000 cycles
 Temperature Rating:
 Operating temperature: -25°C to +85°C
 Environmental:
 Lead free, RoHS compliant



UNLESS OTHERWISE SPECIFIED ALL DIMENSIONS ARE INCHES [MM] TOLERANCES: EXCEPT AS NOTED		
INCHES HOLES		
.X ± .10	Ø.X ± .10	
.XX ± .020	Ø.XX ± .015	
.XXX ± .015	Ø.XXX ± .010	
APPROVALS		DATE
DRAWN	OW	11/18/20
CHECKED	AC	11/18/20
APPROVED		

ADAM TECH 909 Rahway Avenue,
 Union, NJ 07083
 Phone: 908-687-5000
 Fax: 908-687-5710

TITLE SWITCH, TOGGLE SUB-MINIATURE, SPST,
 ON-OFF, SOLDER TYPE

SIZE X	PART NO. SW-T3-1A-A-A3-S1	REV. -
REF: -	SCALE: NTS	SHEET 1 OF 1

6 5 4 3 2 1

6 5 4 3 2 1