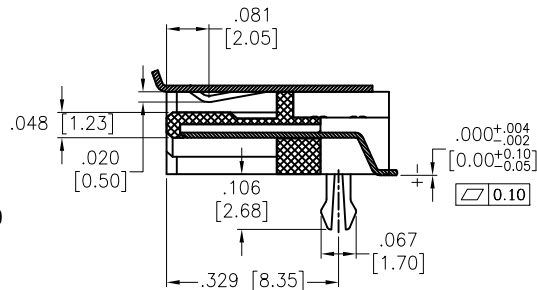
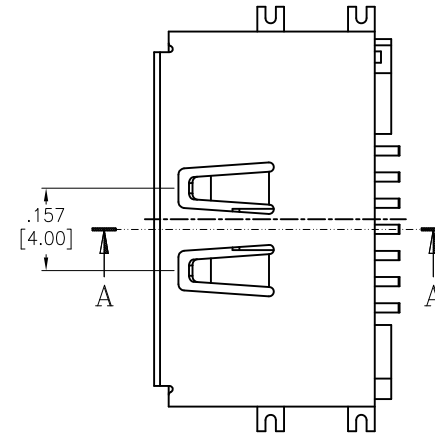
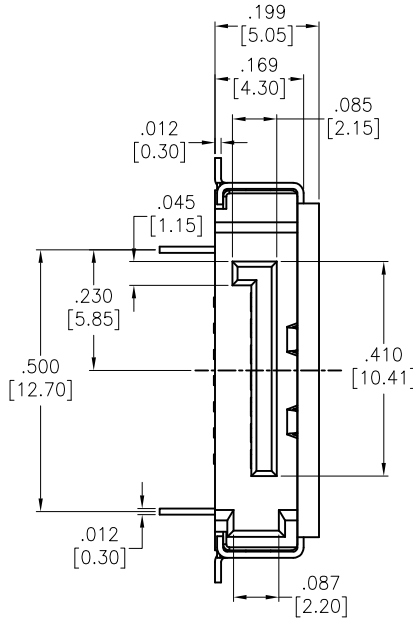
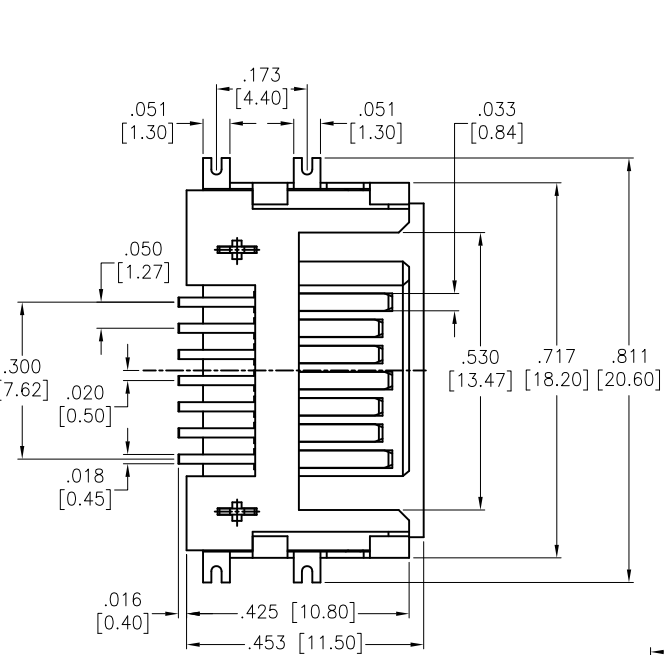
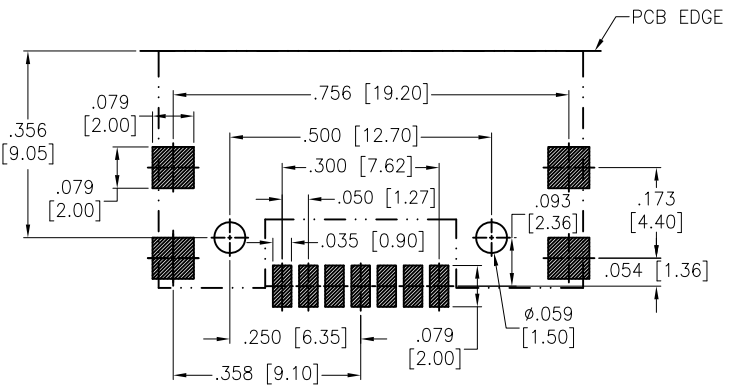


APPROVED: _____
 DATE: _____ TITLE: _____

Rev	AWO #	Description	Date	Appr
-		RELEASED	12/10/07	
A		ADDED DIM.	6/03/11	
B		REVISED DIM.	09/21/12	
C		UPDATED DRAWING	8/4/17	HR/IC



SECTION A-A



RECOMMENDED PCB LAYOUT

SPECIFICATIONS:
 Material:
 Insulator: Hi-Temp Thermoplastic, rated UL 94V-0
 Insulator color: Black
 Contacts: Phosphor Bronze
 Harpoon: Brass, Tin plated
 Shell: Brass, Nickel plated
 Plating:
 Gold flash over Nickel underplate on Contact area,
 Tin over Nickel underplate on solder tails
 Electrical:
 Current rating: 1.5 Amps per contact
 Contact resistance: 30 mohms max
 Insulation resistance: 1,000 Mohms min
 Dielectric withstanding voltage: 500 VAC
 Mechanical:
 Insertion force: 45N max.
 Withdrawal force: 10N min.
 Durability: 50 cycles
 Temperature Rating:
 Operating temperature: -55°C to +85°C
 Environmental:
 Lead free, RoHS compliant



UNLESS OTHERWISE SPECIFIED ALL DIMENSIONS ARE INCHES [MM] TOLERANCES: EXCEPT AS NOTED		
INCHES HOLES		
.X ± .10	Ø.X ± .10	
.XX ± .020	Ø.XX ± .015	
.XXX ± .015	Ø.XXX ± .010	
APPROVALS		DATE
DRAWN	SS	12/10/07
CHECKED		
APPROVED		

ADAM TECH		
909 Rahway Avenue, Union, NJ 07083 Phone: 908-687-5000 Fax: 908-687-5710		
TITLE SERIAL ATA CONNECTOR, TYPE B		
LEFT POLARIZATION, SURFACE MOUNT, KEY		
SIZE X	PART NO. SATA-B-PL-SMT-K-BL	REV. C
REF: S00078T	SCALE: NTS	SHEET 1 OF 1