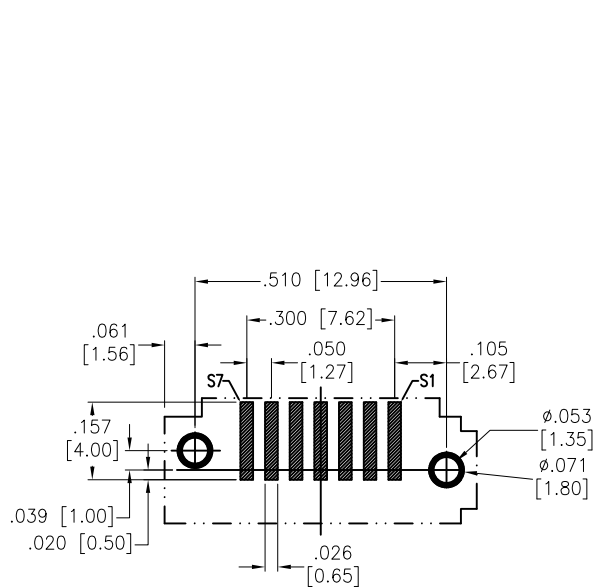
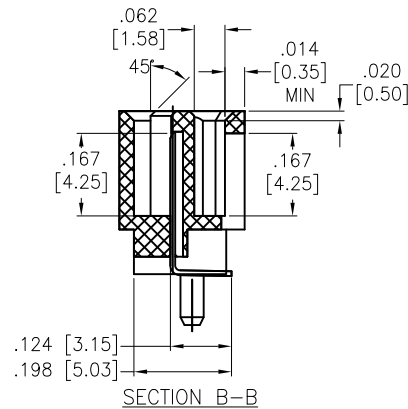
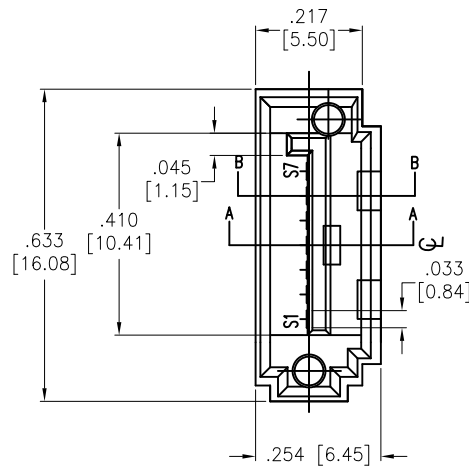


APPROVED: _____
 DATE: _____ TITLE: _____

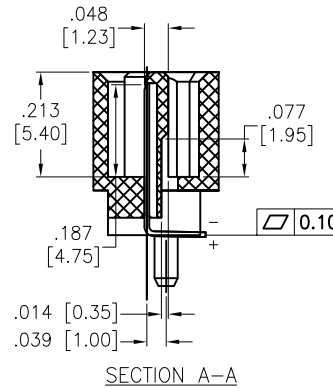
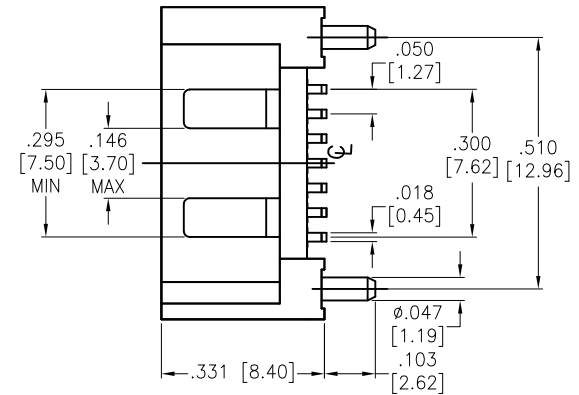
Rev	AWO #	Description	Date	Appr
-		RELEASED	8/22/16	
A		UPDATE DRAWING	11/18/20	OW/TY



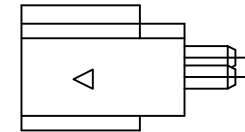
RECOMMENDED PCB LAYOUT



SECTION B-B



SECTION A-A



Signal Name	Segment Type
S1	GND
S2	A+
S3	A-
S4	GND
S5	B-
S6	B+
S7	GND

SPECIFICATIONS:
 Material:
 Insulator: Hi-Temp Thermoplastic, rated UL 94V-0
 Insulator color: Black
 Contacts: Brass
 Board lock: Brass, Tin plated
 Plating:
 15u" Gold over Nickel underplate on contact area
 Tin over Nickel underplate on solder tails
 Electrical:
 Current rating: 1.5 Ampere per contact
 Operation voltage: 15V DC max
 Contact resistance: 30 mohms max.
 Insulation resistance: 1,000 Mohms min
 Dielectric withstanding voltage: 500 VAC
 Mechanical:
 Insertion force: 45N max
 Withdrawal force: 10N min
 Durability: 500 cycles
 Temperature Rating:
 Operating temperature: -55°C to +85°C
 Environmental:
 Lead free, RoHS compliant



UNLESS OTHERWISE SPECIFIED
 ALL DIMENSIONS ARE INCHES [MM]
 TOLERANCES: EXCEPT AS NOTED
 INCHES HOLES
 .X ± .10 Ø.X ± .10
 .XX ± .020 Ø.XX ± .015
 .XXX ± .015 Ø.XXX ± .010

APPROVALS		DATE
DRAWN	HR	8/22/16
CHECKED	CH	8/22/16
APPROVED		

ADAM TECH
 909 Rahway Avenue,
 Union, NJ 07083
 Phone: 908-687-5000
 Fax: 908-687-5710

TITLE			
SATA 7P STRAIGHT DIP B TYPE SHIELD ROUNDED COPPER POLE(THROUGH TYPE) MALE			
SIZE	PART NO.	REV.	
X	SATA-P-PR-SMT-15	A	
REF:	S00078T	SCALE:	NTS
		SHEET 1 OF 1	