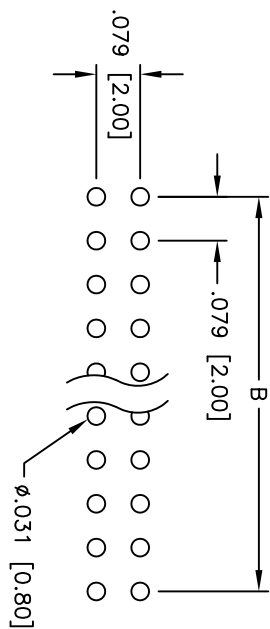
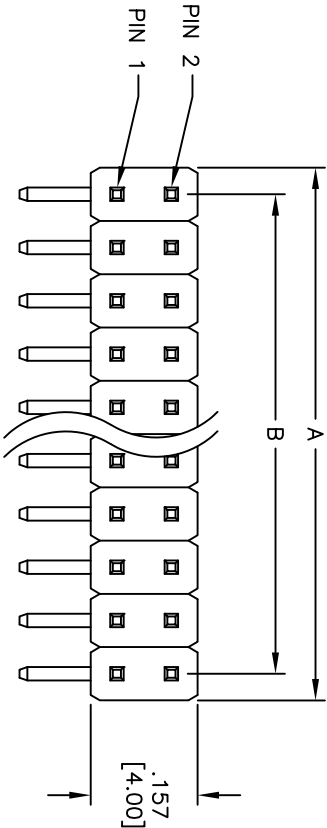
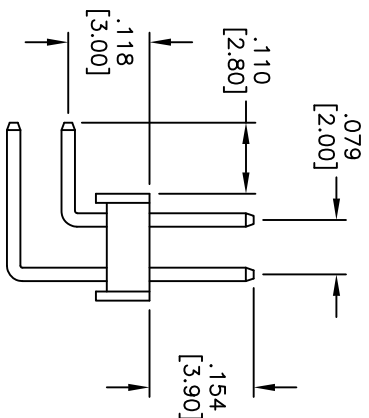
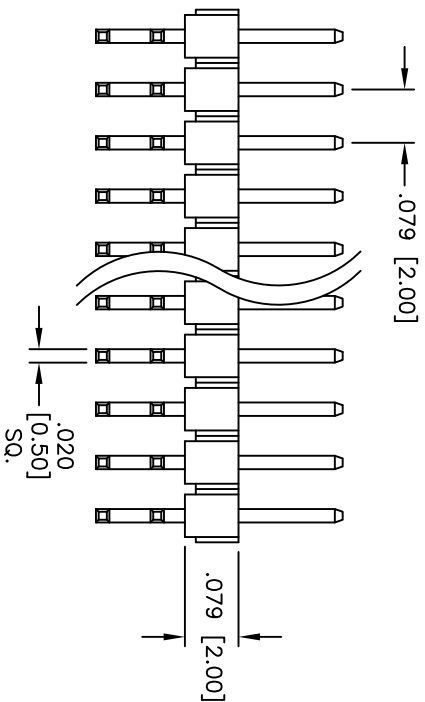


| Rev | AWO # | Description | Date | Appr |
|-----|-------|-------------|---------|------|
| - | | RELEASED | 3/31/05 | |

APPROVED: _____
 DATE: _____ TITLE: _____



RECOMMENDED
PCB LAYOUT



SPECIFICATIONS:
 Material:
 Insulator: PBT, rated UL 94V-0
 Contacts color: Black
 Contacts: Brass
 Plating:
 Gold flash over Nickel underplate overall

Electrical:
 Current rating: 1 Amp max
 Contact resistance: 20 mohms max
 Insulation resistance: 5,000 Mohms min @ 500 VDC
 Temperature Rating:
 Operating temperature: -55°C to +105°C
 Environmental:
 Lead free, RoHS compliant

Positions: 4 thru 80
 A = .079 [2.00] x No. of Positions per Row
 B = .079 [2.00] x No. of Spaces

UNLESS OTHERWISE SPECIFIED
 ALL DIMENSIONS ARE INCHES [MM]
 TOLERANCES: EXCEPT AS NOTED

| INCHES | HOLES |
|-------------|--------------|
| .X ± .10 | ØXX ± .10 |
| .XX ± .020 | ØXXX ± .015 |
| .XXX ± .015 | ØXXXX ± .010 |

APPROVALS

| DATE | DATE |
|------|------|
| | |

| | | |
|----------|----|---------|
| DRAWN | SS | 3/31/05 |
| CHECKED | | |
| APPROVED | | |

ADAM TECH

909 Railway Avenue, Union, NJ 07083
 Phone: 908-687-5000 Fax: 908-687-5710

TITLE
**.079 [2.00] DUAL ROW PIN HEADER
 RIGHT ANGLE, GOLD PLATED**

| | | |
|------|-------------|--------------|
| SIZE | PART NO. | REV. |
| X | 2PH2R-XX-UA | - |
| REF: | SCALE: NTS | SHEET 1 OF 1 |