

6

5

4

3

2

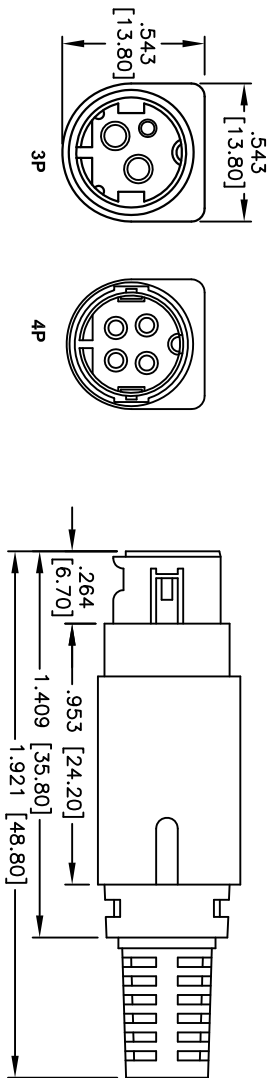
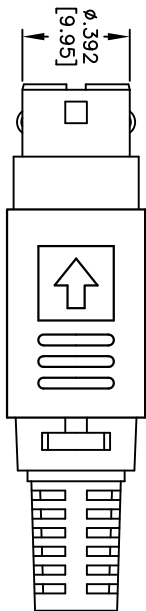
1

APPROVED: _____

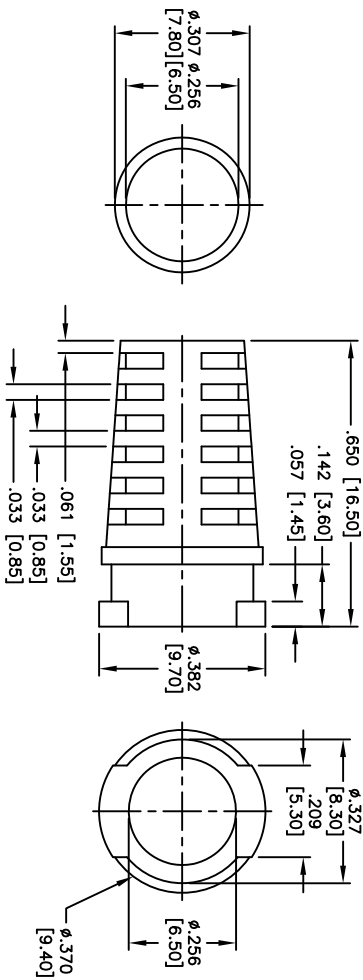
DATE: _____

TITLE: _____

Rev	AWO #	Description	Date	Appr
-		RELEASED	1/4/05	
A		REDRAWN	5/16/12	
B		ADDED SR SHAPE & DIM.	5/16/13	



XX	No. of Positions
3P	3 Positions
4P	4 Positions



SPECIFICATIONS:

Material:

Plastic cover: Brass

Shell: Brass, Nickel plated

Cap: Brass, Nickel plated

Cable Fixer: Brass, Tin plated

Housing: PBT

PIN: Brass, Silver plated

POM Ring: POM

Spring: Steel

Plastic Tube: ABS

SR: PVC

Electrical:

Rating: 100V AC max. or 12V DC, 7.5A max.

Insulation resistance: 50 Mohms min @ 250 VDC

Dielectric withstanding voltage: 250 VAC/minute

Operating temperature: -20°C to +105°C

Lead free, RoHS Compliant

ADAM TECH

909 Rahway Avenue, Union, NJ 07083
Phone: 908-687-5000 Fax: 908-687-5710

MINI DIN POWER PLUG
DISASSEMBLED

UNLESS OTHERWISE SPECIFIED ALL DIMENSIONS ARE INCHES [MM]	
TOLERANCES: EXCEPT AS NOTED	
INCHES	HOLES
.X ± .10	ØX ± .10
.XX ± .020	ØXX ± .015
.XXX ± .015	ØXXX ± .010
APPROVALS	DATE
DRAWN	SS
CHECKED	
APPROVED	

SIZE	PART NO.	REV.
X	MP-XX-D	B
REF:	S00087T	SCALE: NTS
SHEET 1	OF 1	

A

B

C

D

A

B

C

D

6

5

4

3

2

1