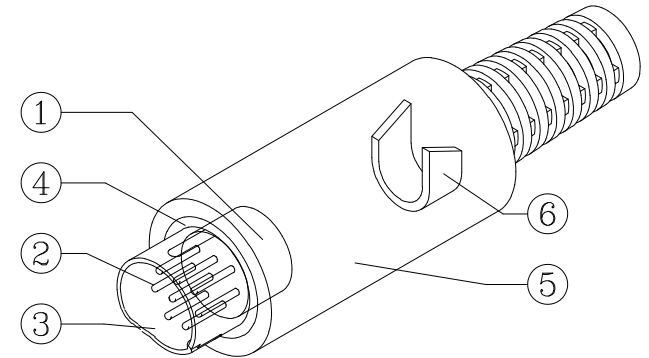
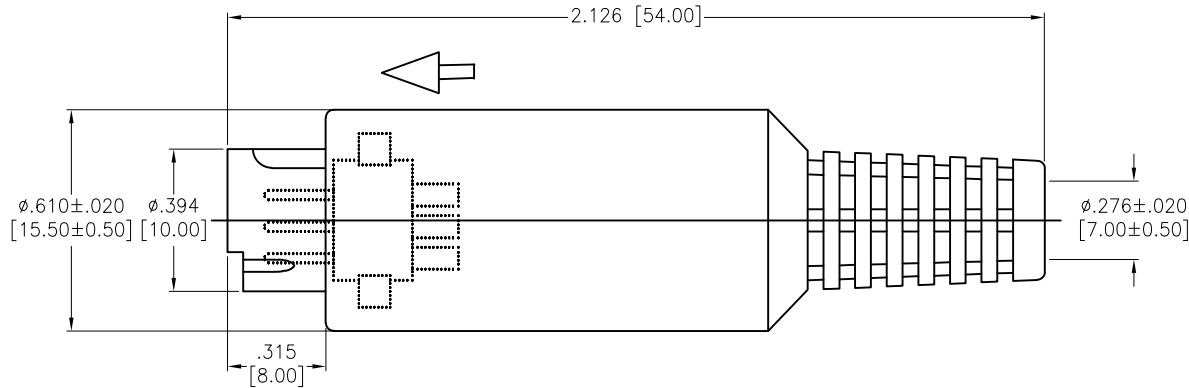
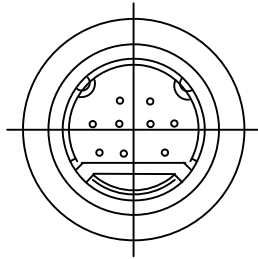


APPROVED: _____

DATE: _____ TITLE: _____

Rev	AWO #	Description	Date	Appr
-		RELEASED	6/13/11	
A		UPDATE SPEC.	6/20/16	AY/LL
B		UPDATE DRAWING	3/27/24	WX/JAC1



SPECIFICATIONS:

Material:

- 6. Clip Ring: Copper Alloy, Nickel plated
- 5. Main Body: EVA, rated UL 94V-0
- 4. Plastic Lining: ABS, rated UL 94HB
- 3. Metal Cover: Brass, Nickel plated
- 2. Terminal: Copper Alloy, 30u"~50u" Silver plated
- 1. Male insert: PBT, rated UL 94V-0

Electrical:

Rating: 100V AC 1A Max
 12V DC 2A Max
 Contact resistance: 30 mohms Max
 Insulation resistance: 50 Mohms min. @250V DC
 Dielectric withstanding voltage: 250V AC for 1 minute

Mechanical:

Insertion force: 4.5Kg Max
 Withdrawal force: 0.9~3KG

Environmental:
 Lead free, RoHS compliant.



UNLESS OTHERWISE SPECIFIED ALL DIMENSIONS ARE INCHES [MM]. TOLERANCES: EXCEPT AS NOTED

INCHES		HOLES	
.X	± .10	Ø.X	± .10
.XX	± .020	Ø.XX	± .015
.XXX	± .015	Ø.XXX	± .010



909 Rahway Avenue,
 Union, NJ 07083
 Phone: 908-687-5000
 Fax: 908-687-5710

DRAWN	AY	6/13/11
CHECKED	SC	6/13/11
APPROVED		

TITLE		
MINI DIN PLUG, ASSEMBLY TYPE		
SIZE	PART NO.	REV.
X	MDP-009	B

THIS DRAWING CONTAINS INFORMATION THAT IS PROPRIETARY AND SHOULD NOT BE USED WITHOUT PRIOR WRITTEN PERMISSION FROM ADAM TECH

REF:	S00250T	SCALE:	NTS	SHEET	1 OF 1
------	---------	--------	-----	-------	--------