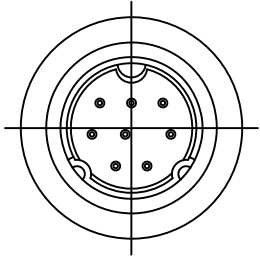


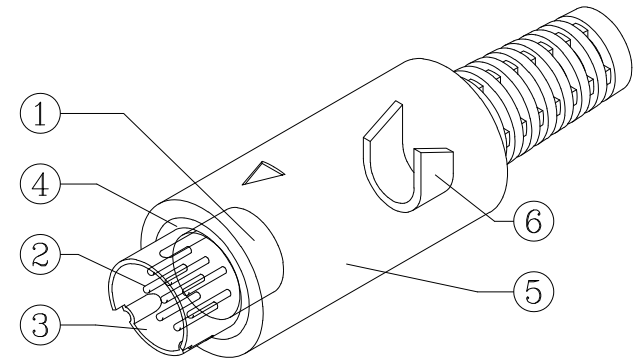
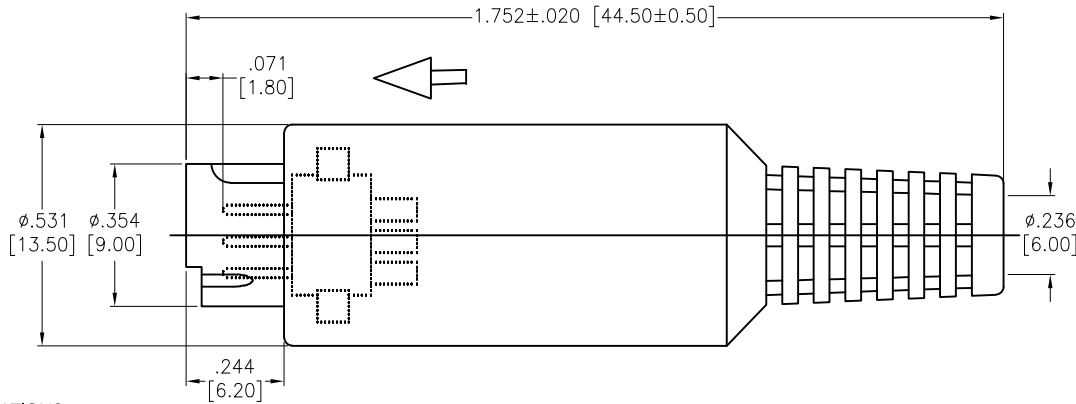
APPROVED: _____

DATE: _____ TITLE: _____

Rev	AWO #	Description	Date	Appr
-		RELEASED	11/19/09	
A		REVISED DIM.	6/13/11	
B		UPDATE SHAPE	9/23/14	AY
C		UPDATE SHAPE	2/22/17	AY/OC
D		UPDATE DIM.	9/5/18	AY/ITY
E		UPDATE DRAWING	3/27/24	WX/AC1



MDP-003	MDP-004	MDP-005	MDP-006	MDP-007	MDP-008



SPECIFICATIONS:

Material:

- 6. Clip Ring: Copper Alloy, Nickel plated
- 5. Main Body: EVA, rated UL 94V-0
- 4. Plastic Lining: ABS, rated UL 94HB
- 3. Metal Cover: Brass, Nickel plated
- 2. Terminal: Copper Alloy, 30u"~50u" Silver plated
- 1. Male insert: PBT, rated UL 94V-0

Electrical:

Rating: 100V AC 1A Max
12V DC 2A Max

Contact resistance: 30 mohms Max

Insulation resistance: 50 Mohms min. @250V DC

Dielectric withstanding voltage: 250V AC for 1 minute

Mechanical:

Insertion force: 4.5Kg Max

Withdrawal force: 0.9~3KG

Environmental:

Lead free, RoHS compliant.



UNLESS OTHERWISE SPECIFIED ALL DIMENSIONS ARE INCHES [MM]. TOLERANCES: EXCEPT AS NOTED

INCHES		HOLES	
.X	± .10	Ø.X	± .10
.XX	± .020	Ø.XX	± .015
.XXX	± .015	Ø.XXX	± .010



909 Rahway Avenue,
Union, NJ 07083
Phone: 908-687-5000
Fax: 908-687-5710

DRAWN	DY	11/19/09
CHECKED		
APPROVED		

TITLE		
MINI DIN PLUG, ASSEMBLY TYPE		
SIZE	PART NO.	REV.
X	MDP-00X	E

THIS DRAWING CONTAINS INFORMATION THAT IS PROPRIETARY AND SHOULD NOT BE USED WITHOUT PRIOR WRITTEN PERMISSION FROM ADAM TECH

REF:	S00250T	SCALE:	NTS	SHEET	1 OF 1
------	---------	--------	-----	-------	--------