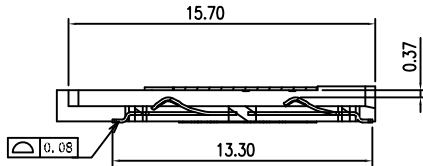
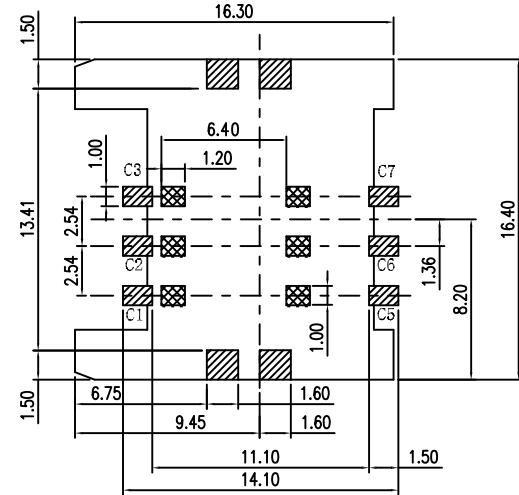
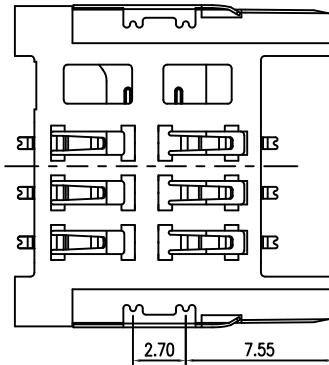
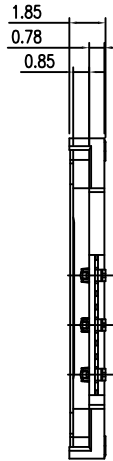
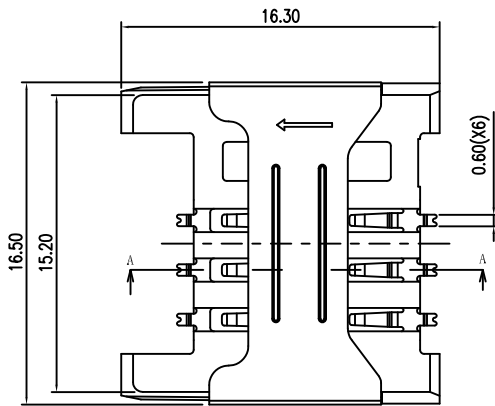


APPROVED: _____
 DATE: _____ TITLE: _____

Rev	AWO #	Description	Date	Appr
-		RELEASED	12/8/15	
A		UPDATE DRAWING	7/17/18	AY/LW
B		UPDATE SPEC.	5/7/20	AY/RC

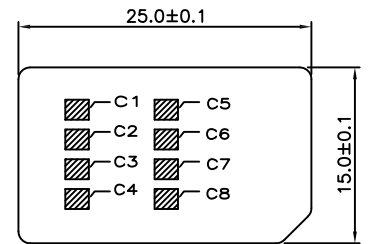


SECTION A-A



REFERENCE PCB LAYOUT

- KEEP OUT AREA
- SOLDER AREA



REFERENCE SIM CARD PLUG

SPECIFICATIONS:

Material:

Insulator: Hi-Temp Thermoplastic, rated UL 94V-0
 Insulator color: Black
 Contacts: Corson Alloy
 Shell: Stainless, Nickel overall plated
 Gold plated on Solder area

Plating:

Gold flash over Nickel underplate on contact area,
 Tin over Nickel underplate on solder tails

Electrical:

Current rating: 0.5A / (1PIN)
 Voltage rating: 50V AC/DC
 Contact resistance: 100 mohms max
 Insulation resistance: 1,000 Mohms min
 Dielectric withstanding voltage: 500 VAC RMS for 1 minute

Mechanical:

Durability: 5000 cycles min.
 Contact retention: 2.5N min.
 Insertion force: 10N max.
 Withdrawal force: 2N
 Temperature Rating:
 Operating temperature: -25°C to +85°C
 Environmental:
 Lead free, RoHS compliant



PIN NO.	PIN NAME
C1	Supply Voltage Vcc
C2	Reset (RST)
C3	Clock(CLK)
C4	N/A
C5	Ground
C6	Programming Voltage Vpp
C7	I/O
C8	N/A

PACKAGED ON TAPE & REEL

UNLESS OTHERWISE SPECIFIED ALL DIMENSIONS ARE MILLIMETERS TOLERANCES: EXCEPT AS NOTED		
MM	ANGLE	
.X ± 0.30	.X ± 3°	
.XX ± 0.20	.XX ± 1°	
.XXX ± 0.10		
APPROVALS		DATE
DRAWN	AY	12/8/15
CHECKED	WY	12/8/15
APPROVED		

ADAM TECH
 INTERCONNECTS
 909 Rahway Avenue,
 Union, NJ 07083
 Phone: 908-687-5000
 Fax: 908-687-5710

TITLE
 SIM CARD 6 PIN, 1.80MM HIGHT, PUSH PULL TYPE

SIZE X	PART NO. SCC-Q1-06-G-SMT-T/R	REV. B
REF: S00275T	SCALE: NTS	SHEET 1 OF 1