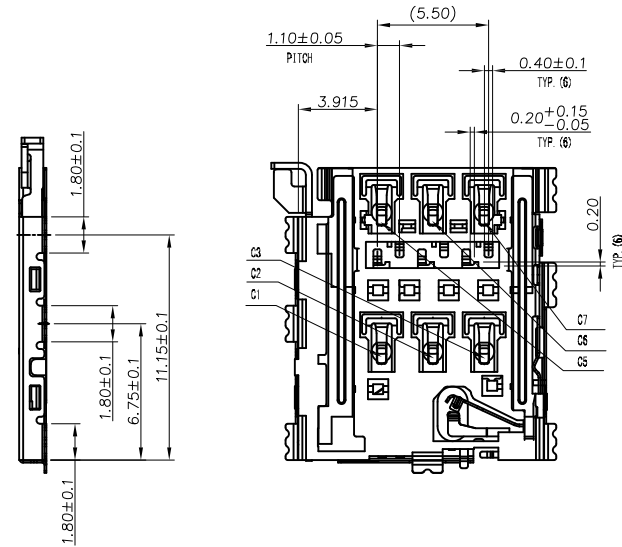
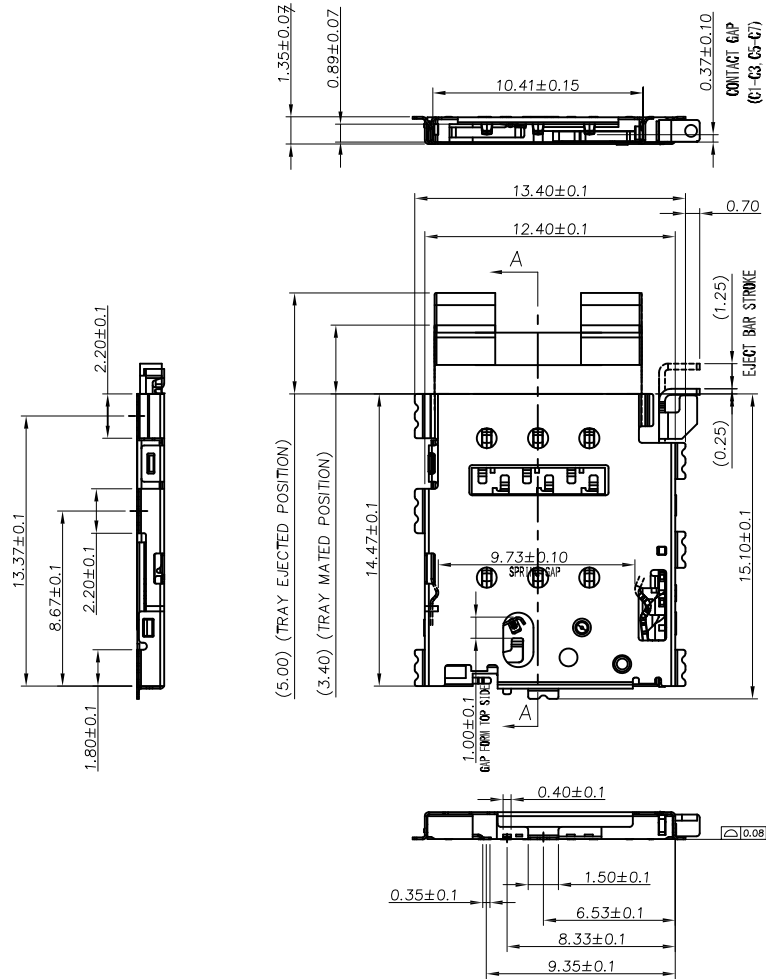


APPROVED: _____

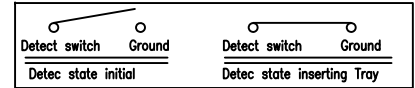
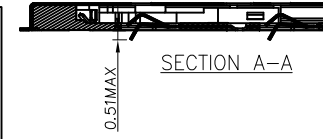
DATE: _____ TITLE: _____

Rev	AWO #	Description	Date	Appr
-		RELEASED	3/29/16	
A		UPDATED DRAWING	7/18/17	HR/RT
B		UPDATED DRAWING	7/19/17	HR/MY
C		UPDATED DRAWING	11/10/20	LH/DH
D		TRAY COLOR CHG'D FROM BLACK TO WHITE	5/4/21	SS
E		UPDATED DRAWING	5/11/21	LH/RC
F		UPDATED DRAWING	7/23/21	LH/LL1
G		UPDATED PACKING	11/12/21	WX/RC



PIN ASSIGNMENT

C1:	Vcc
C2:	RST
C3:	CLK
C5:	GND
C6:	Vpp
C7:	I/O
C8:	Detect Switch
C10:	Detect Lever



SPECIFICATIONS:
 Material:
 Insulation: Hi-Temp Thermoplastic, UL94V-0, Color: White
 Contact: Copper Alloy
 Shell: Stainless Steel, Nickel underplated overall
 Gold Flash on Solder Area
 Card Tray: Stainless Steel
 Plating:
 Gold flash over Nickel underplate overall
 Electrical:
 Operating voltage: 10 VAC/DC
 Current rating: 0.2 A max
 Contact resistance: 50 mohms max
 Insulation resistance: 1,000 Mohms min
 Dielectric withstanding voltage: 500 VAC for 1 minute
 Temperature Rating:
 Operating temperature: -30°C to +85°C
 Environmental:
 Lead free, RoHS compliant



PACKAGED ON TAPE & REEL

UNLESS OTHERWISE SPECIFIED ALL DIMENSIONS ARE MILLIMETERS. TOLERANCES: EXCEPT AS NOTED

MM	ANGLE
.X ± 0.30	.X ± 3°
.XX ± 0.20	.XX ± 1°
.XXX ± 0.10	

DRAWN	HR	3/29/16
CHECKED	LW	3/29/16
APPROVED		

THIS DRAWING CONTAINS INFORMATION THAT IS PROPRIETARY AND SHOULD NOT BE USED WITHOUT PRIOR WRITTEN PERMISSION FROM ADAM TECH

ADAM TECH

909 Rahway Avenue,
 Union, NJ 07083
 Phone: 908-687-5000
 Fax: 908-687-5710

TITLE: NANO SIM CARD CONNECTOR
 6 PIN, GOLD PLATED, SMT TYPE

SIZE X	PART NO. NSCC-C-06-G-SMT-SW-T/R	REV. G
REF: S00275T	SCALE: NTS	SHEET 1 OF 5

6

5

4

3

2

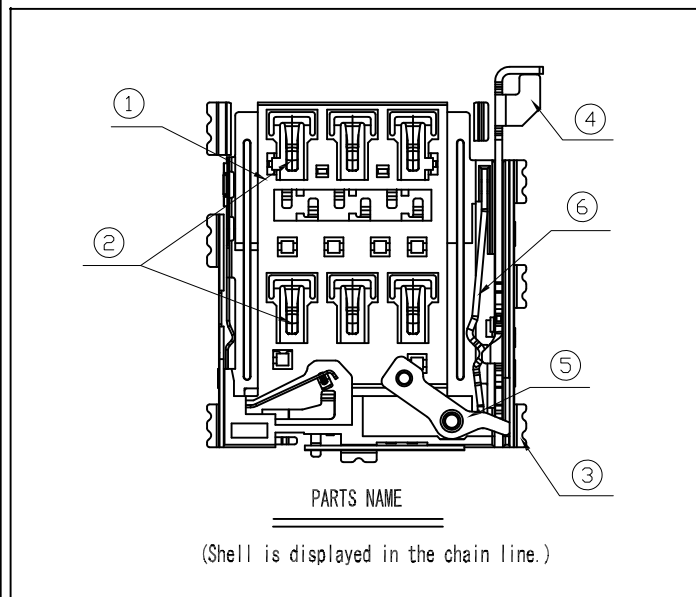
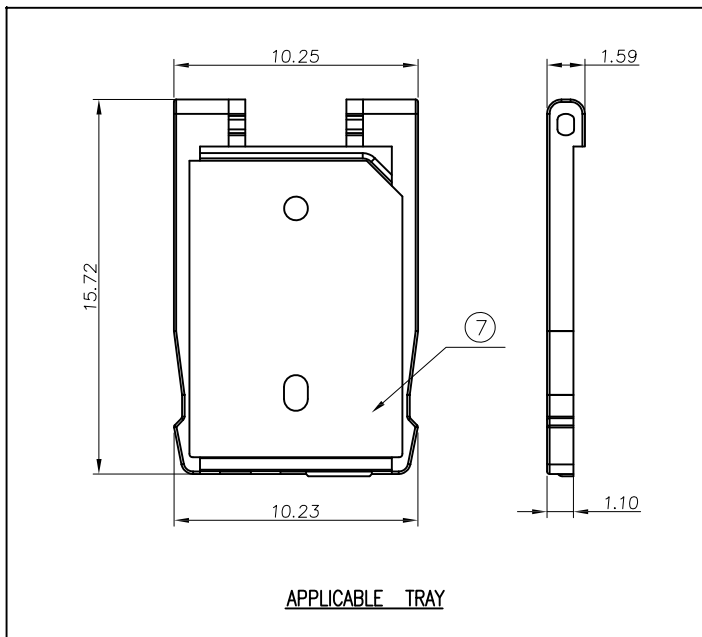
1

APPROVED: _____

DATE: _____ TITLE: _____

Rev	AWO #	Description	Date	Appr
-----	-------	-------------	------	------

SEE SHT 1 OF 5 FOR REVISION



No.	NAME	MATERIAL	FINISH
①	HOUSING	LCP_S475 UL94V-0, WHITE	N/A
②	CONTACT	COPPER ALLOY (NKT322-ESH, T=0.1)	CONTACT AREA: GOLD 0.2 MICROMETER MINIMUM TAIL AREA: SEPARATED GOLD PLATING 0.02 MICROMETER MINIMUM UNDER PLATING: NICKEL 1.0 MICROMETER MINIMUM
③	SHELL	STAINLESS STEEL (SUS301-H, T=0.1)	CONTACT AREA: GOLD 0.2 MICROMETER MINIMUM TAIL AREA: SEPARATED GOLD PLATING 0.02 MICROMETER MINIMUM
④	LEVER	STAINLESS STEEL (SUS301-H, T=0.3)	N/A
⑤	CAM	STAINLESS STEEL (SUS301-1/2H, T=0.5)	N/A
⑥	LATCH	STAINLESS STEEL (SUS301-H, T=0.25)	N/A
⑦	TRAY	NYLON 4160-SUS301	N/A

UNLESS OTHERWISE SPECIFIED ALL DIMENSIONS ARE MILLIMETERS. TOLERANCES: EXCEPT AS NOTED

MM	ANGLE
.X ± 0.30	.X ± 3°
.XX ± 0.20	.XX ± 1°
.XXX ± 0.10	



909 Rahway Avenue,
Union, NJ 07083
Phone: 908-687-5000
Fax: 908-687-5710

DRAWN	HR	3/29/16
CHECKED	LW	3/29/16
APPROVED		

TITLE
NANO SIM CARD CONNECTOR
6 PIN, GOLD PLATED, SMT TYPE

Environmental:
Lead free, RoHS compliant

THIS DRAWING CONTAINS INFORMATION THAT IS PROPRIETARY AND SHOULD NOT BE USED WITHOUT PRIOR WRITTEN PERMISSION FROM ADAM TECH		SIZE X	PART NO. NSCC-C-06-G-SMT-SW-T/R	REV. G
REF: S00275T	SCALE: NTS	SHEET 3 OF 5		

6

5

4

3

2

1

6

5

4

3

2

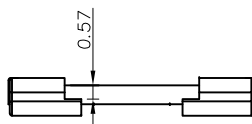
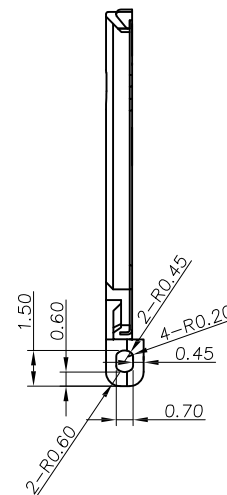
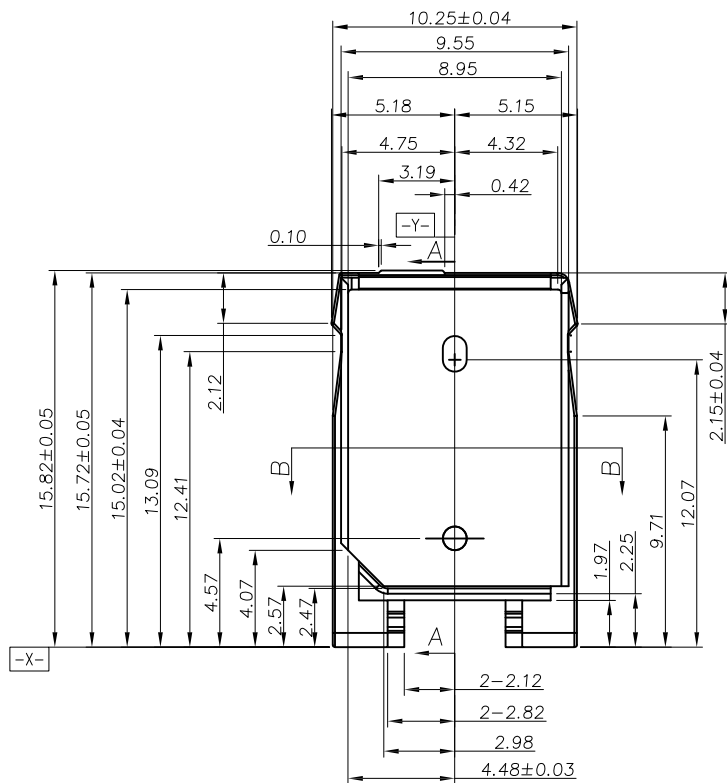
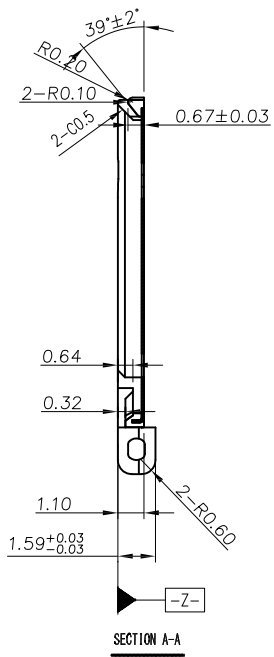
1

APPROVED: _____

DATE: _____ TITLE: _____

Rev	AWO #	Description	Date	Appr
-----	-------	-------------	------	------

SEE SHT 1 OF 5 FOR REVISION



WARPAGE
0.07MAX

UNLESS OTHERWISE SPECIFIED ALL DIMENSIONS ARE MILLIMETERS. TOLERANCES: EXCEPT AS NOTED

MM	ANGLE
.X ± 0.30	.X ± 3°
.XX ± 0.20	.XX ± 1°
.XXX ± 0.10	

DRAWN	HR	3/29/16
CHECKED	LW	3/29/16
APPROVED		

THIS DRAWING CONTAINS INFORMATION THAT IS PROPRIETARY AND SHOULD NOT BE USED WITHOUT PRIOR WRITTEN PERMISSION FROM ADAM TECH

ADAM TECH 909 Rahway Avenue,
Union, NJ 07083
Phone: 908-687-5000
Fax: 908-687-5710

TITLE		NANO SIM CARD CONNECTOR 6 PIN, GOLD PLATED, SMT TYPE	
SIZE	PART NO.	REV.	
X	NSCC-C-06-G-SMT-SW-T/R	G	
REF:	S00275T	SCALE:	NTS
		SHEET 4 OF 5	

6

5

4

3

2

1

6

5

4

3

2

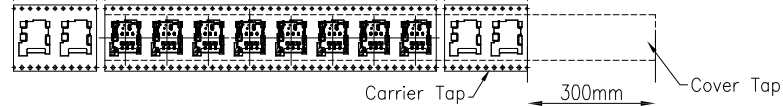
1

Rev	AWO #	Description	Date	Appr
SEE SHT 1 OF 5 FOR REVISION				

APPROVED: _____

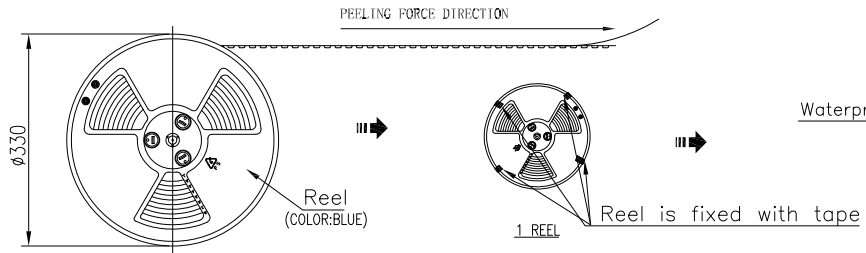
DATE: _____ TITLE: _____

THE END APPROXIMATELY 15PCS EMPTY CARRIER PACKING 1000PCS PRODUCT FIRST APPROXIMATELY 15PCS EMPTY CARRIER



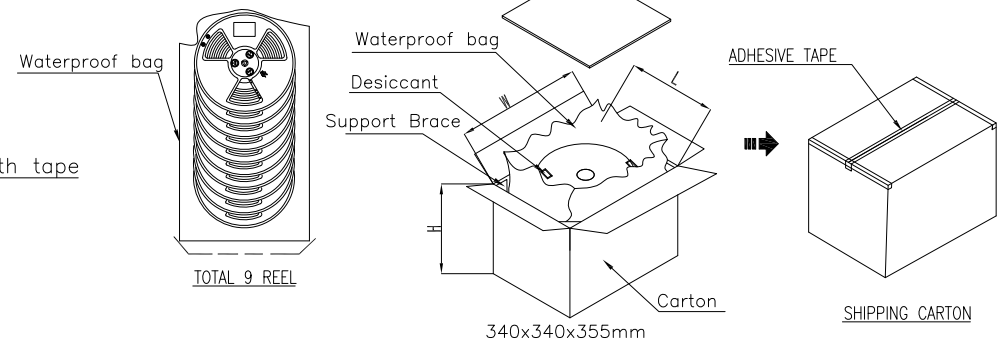
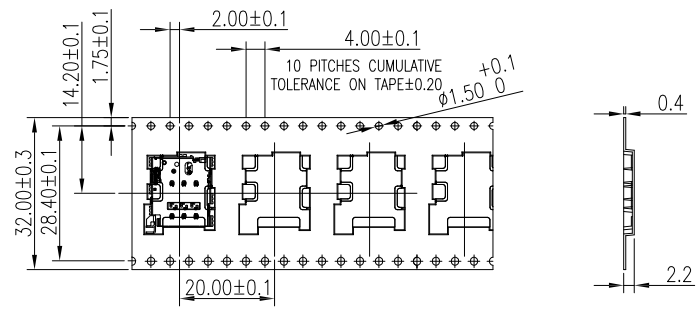
D

D



C

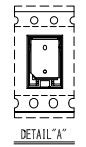
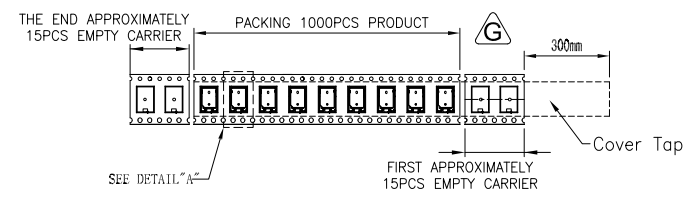
C



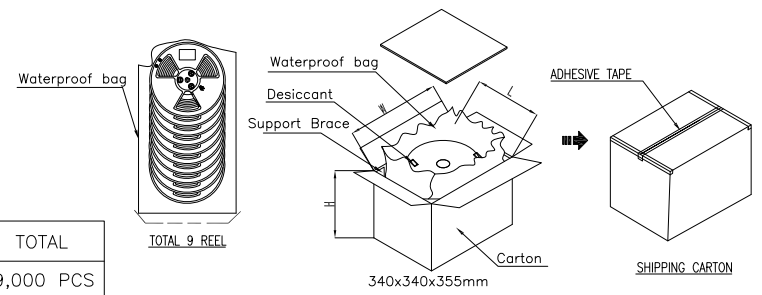
PCS/REEL	REEL/CARTON	TOTAL
1,000 PCS	9 PCS	9,000 PCS

B

B

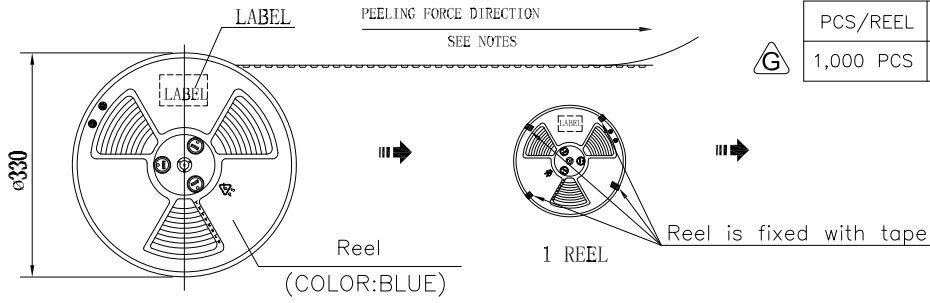


PCS/REEL	REEL/CARTON	TOTAL
1,000 PCS	9 PCS	9,000 PCS



A

A



UNLESS OTHERWISE SPECIFIED ALL DIMENSIONS ARE MILLIMETERS. TOLERANCES: EXCEPT AS NOTED

MM	ANGLE
.X ± 0.30	.X ± 3°
.XX ± 0.20	.XX ± 1°
.XXX ± 0.10	

DRAWN	HR	3/29/16
CHECKED	LW	3/29/16
APPROVED		

THIS DRAWING CONTAINS INFORMATION THAT IS PROPRIETARY AND SHOULD NOT BE USED WITHOUT PRIOR WRITTEN PERMISSION FROM ADAM TECH

ADAM TECH 909 Rahway Avenue, Union, NJ 07083
Phone: 908-687-5000 Fax: 908-687-5710

TITLE: NANO SIM CARD CONNECTOR
6 PIN, GOLD PLATED, SMT TYPE

SIZE X	PART NO. NSCC-C-06-G-SMT-SW-T/R	REV. G
REF: S00275T	SCALE: NTS	SHEET 5 OF 5

6

5

4

3

2

1