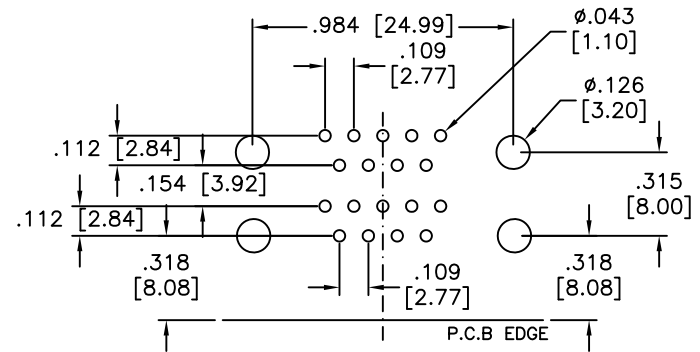
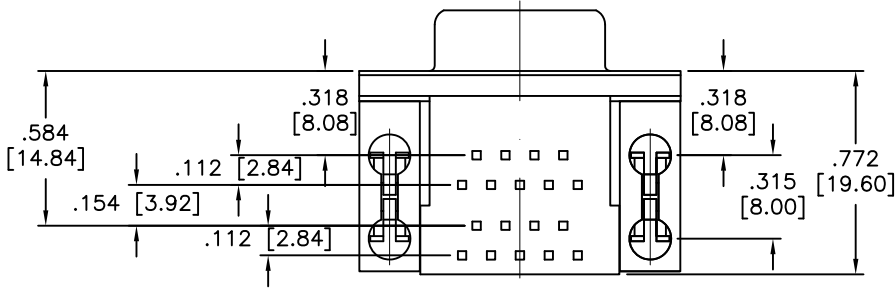
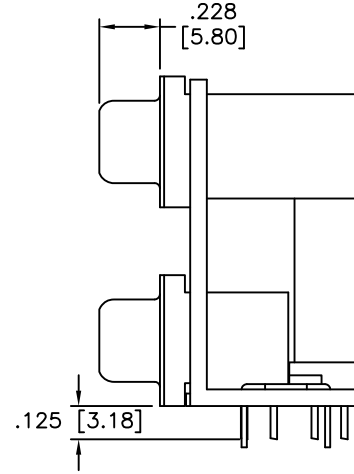
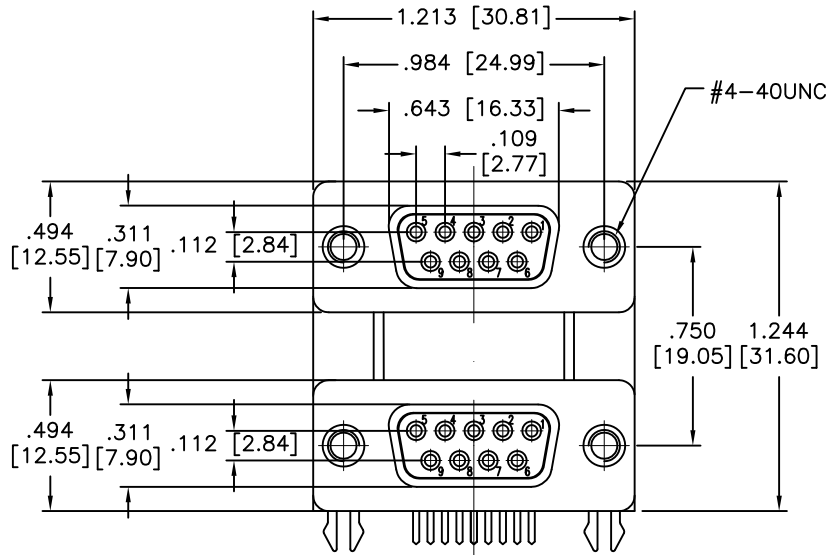


APPROVED: \_\_\_\_\_  
 DATE: \_\_\_\_\_ TITLE: \_\_\_\_\_

Rev	AWO #	Description	Date	Appr
-		RELEASED	05/31/12	
A		UPDATE DIM.	1/23/18	AY/MY



RECOMMENDED PCB LAYOUT

**SPECIFICATIONS:**

Material:  
 Insulator: PBT, rated UL 94V-0  
 Insulator color: Black  
 Contacts: Copper Alloy  
 Shell: SPCC, Nickel plated  
 Boardlock: Copper Alloy, Tin, plated  
 Bracket: Zinc Alloy, Nickel plated  
 Plating:  
 Gold over Nickel underplate on contact area,  
 Tin over Nickel underplate on solder tails  
 Electrical:  
**Voltage: 250 VAC max**  
**Current rating: 3 Amp per Contact**  
**Contact resistance: 25 mohms max**  
**Insulation resistance: 5,000 Mohms min**  
**Dielectric withstanding voltage: 1000 VAC for 1 minute**  
 Temperature Rating:  
**Operating temperature: -55°C to +85°C**  
 Environmental:  
**Lead free, RoHS compliant**



UNLESS OTHERWISE SPECIFIED  
 ALL DIMENSIONS ARE INCHES [MM]  
 TOLERANCES: EXCEPT AS NOTED

INCHES	HOLES
.X ± .10	Ø.X ± .10
.XX ± .020	Ø.XX ± .015
.XXX ± .015	Ø.XXX ± .010

**ADAM**  
**TECH**  
**INTERCONNECTS**

909 Rahway Avenue,  
 Union, NJ 07083  
 Phone: 908-687-5000  
 Fax: 908-687-5710

APPROVALS		DATE
DRAWN	TW	05/31/12
CHECKED	AY	05/31/12
APPROVED		

TITLE			
DUAL PORT D-SUB, RIGHT ANGLE, FEMALE 9 PIN / FEMALE 9 PIN, SEL-GOLD PLATED			
SIZE	PART NO.	REV.	
X	DPD-09-00-B3	A	
REF:	S00027T	SCALE:	NTS
		SHEET 1 OF 1	