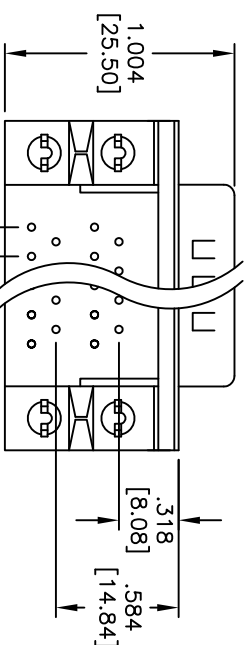
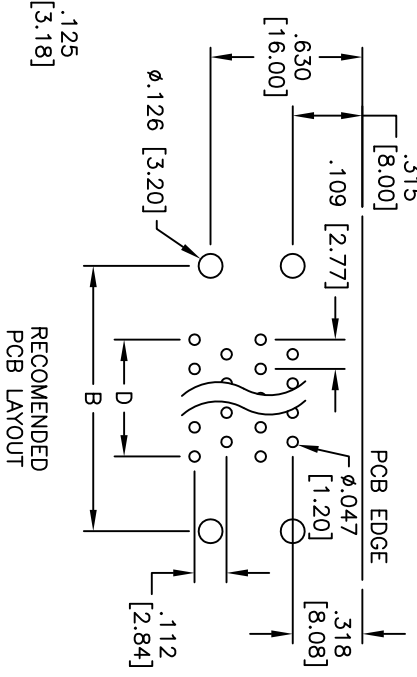
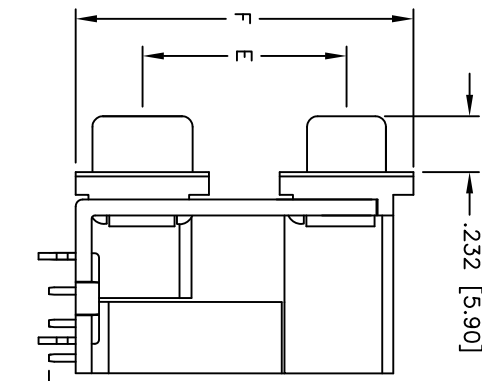
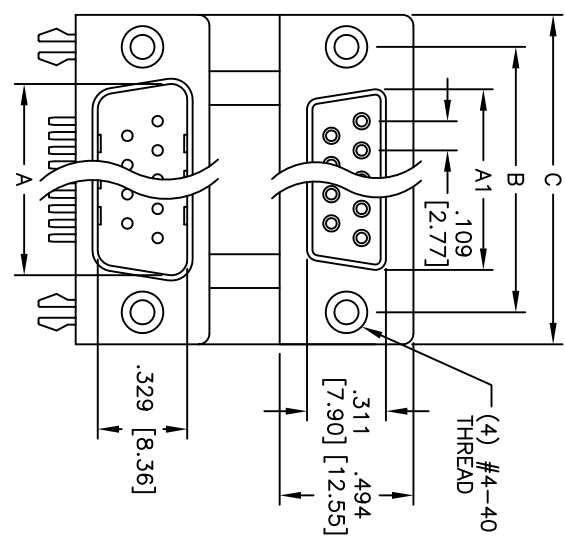


APPROVED: _____
 DATE: _____ TITLE: _____

Rev	AWO #	Description	Date	Appr
-		RELEASED	6/10/05	
A		REVISED SPEC.	11/13/14	AV/LL



PORT SPACING	PLUG DIMENSIONS		
	A3	B3	C3
.900 [22.86]	.900 [22.86]	1.394 [35.41]	
.750 [19.05]	.750 [19.05]	1.244 [31.60]	
.625 [15.88]	.625 [15.88]	1.119 [28.43]	

POSITIONS	DIMENSIONS			
	A	A1	B	C
9	.666 [16.92]	.643 [16.33]	.984 [24.99]	1.213 [30.81]
15	.994 [25.25]	.971 [24.66]	1.312 [33.32]	1.541 [39.14]
25	1.534 [38.96]	1.511 [38.38]	1.852 [47.04]	2.088 [53.04]
37	2.182 [55.42]	2.160 [54.84]	2.500 [63.50]	2.729 [69.32]

SPECIFICATIONS:
 Insulator: PBT, rated UL 94V-0
 Material: _____
 Insulator color: Black
 Contacts: Copper Alloy
 Shield: SPCC, Nicked plated
 Boardlock: Copper Alloy, Tin plated
 Bracket: Zinc Alloy, Nickel plated
 Plating: _____
 Gold Plated over Nickel at Contact Area.
 Tin Plated over Nickel at Solder Area.
Electrical:
 Operating voltage: 250V AC max.
 Current rating: 3 Amps / Pin
 Contact resistance: 25 mohms max.
 Insulation resistance: 5000 Mohms min.
 Dielectric withstanding voltage: 1000V AC for 1 minute
Temperature Rating:
 Operating temperature: -55°C to +85°C
 Environmental:
 Lead free, RoHS compliant.



ADAM TECH

909 Railway Avenue, Union, NJ 07083
 Phone: 908-687-5000 Fax: 908-687-5710

DUAL PORT D-SUB, FEMALE / MALE
 FORKED BOARDLOCKS

UNLESS OTHERWISE SPECIFIED ALL DIMENSIONS ARE INCHES [MM]		TOLERANCES: EXCEPT AS NOTED	
INCHES		HOLES	
.X ± .10	ØXX ± .10	.XX ± .020	ØXXX ± .015
.XXX ± .015	ØXXXX ± .010	DATE	
DRAWN SS		6/10/05	
CHECKED		SIZE	PART NO.
APPROVED		X	DPD-XX-01-X3
SCALE: NTS		SHEET	1 OF 1