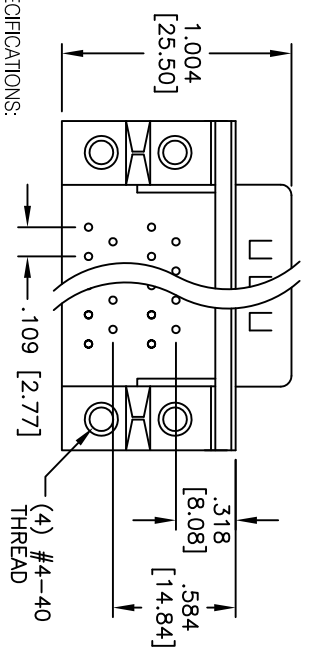
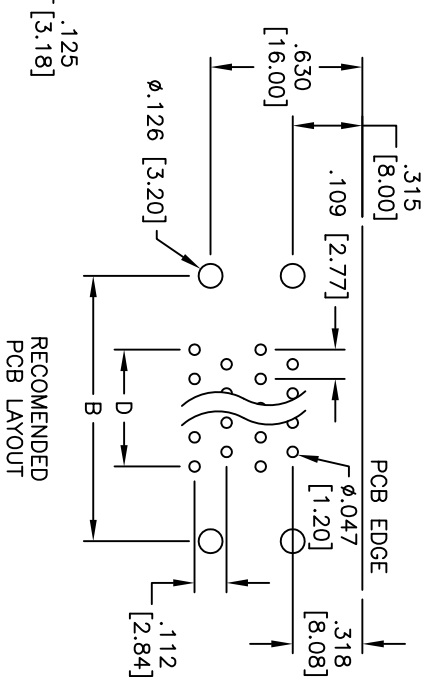
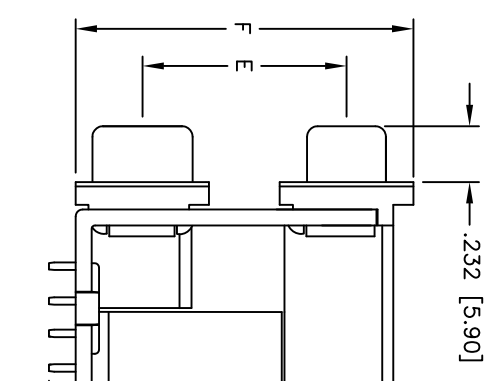
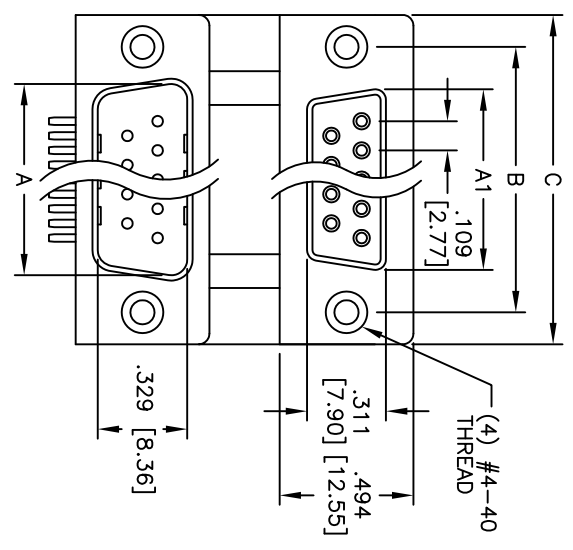


APPROVED: _____
 DATE: _____ TITLE: _____



PORT SPACING	PLUG DIMENSIONS		
	A2	B2	C2
.900 [22.86]	.900 [22.86]	1.394 [35.41]	
.750 [19.05]	.750 [19.05]	1.244 [31.60]	
.625 [15.88]	.625 [15.88]	1.119 [28.43]	

POSITIONS	DIMENSIONS			
	A	A1	B	C
9	.666 [16.92]	.643 [16.33]	.984 [24.99]	1.213 [30.81]
15	.994 [25.25]	.971 [24.66]	1.312 [33.32]	1.541 [39.14]
25	1.534 [38.96]	1.511 [38.38]	1.852 [47.04]	2.088 [53.04]
37	2.182 [55.42]	2.160 [54.84]	2.500 [63.50]	2.729 [69.32]

SPECIFICATIONS:

Material: Insulator: PBT, rated UL 94V-0
 Insulator color: Black
 Contacts: Copper Alloy
 Shell: SPC, Nickel plated
 Bracket: Zinc Copper, Nickel plated
 Plating:
 Gold over Nickel underplate in contact area,
 Tin over Copper underplate on solder tails.
 Electrical:
 Operating voltage: 250 VAC max
 Current rating: 3 Amps max.
 Contact resistance: 25 milliohms max.
 Insulation resistance: 5,000 Medohms min.
 Dielectric withstanding voltage: 1,000 VAC for 1 minute
 Temperature Rating:
 Operating temperature: -55°C to +85°C
 Environmental:
 Lead free, RoHS compliant.



Rev	AWO #	Description	Date	Appr
-		RELEASED	6/10/05	
A		REVISED SPEC.	11/13/14	AV/LL

UNLESS OTHERWISE SPECIFIED
 ALL DIMENSIONS ARE INCHES [MM]
 TOLERANCES: EXCEPT AS NOTED

.X	± .10	ØX	± .10
.XX	± .020	ØXX	± .015
.XXX	± .015	ØXXX	± .010

APPROVALS: _____ DATE: _____

DRAWN: SS 6/10/05
 CHECKED: _____
 APPROVED: _____

SIZE: X
 PART NO.: DPP-XX-01-X2
 SCALE: NTS SHEET 1 OF 1

TITLE: DUAL PORT D-SUB, FEMALE / MALE
 #4-40 THREADED HOLES

ADAM TECH
 909 Railway Avenue, Union, NJ 07083
 Phone: 908-687-5000 Fax: 908-687-5710