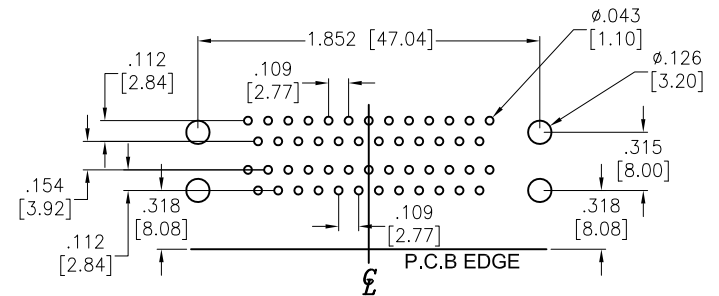
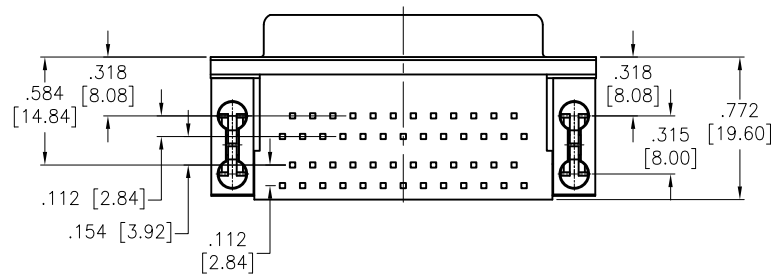
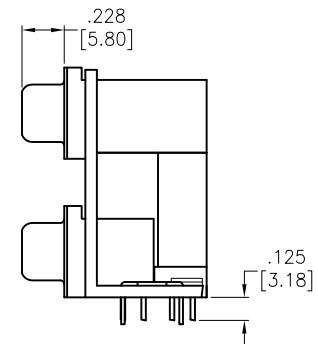
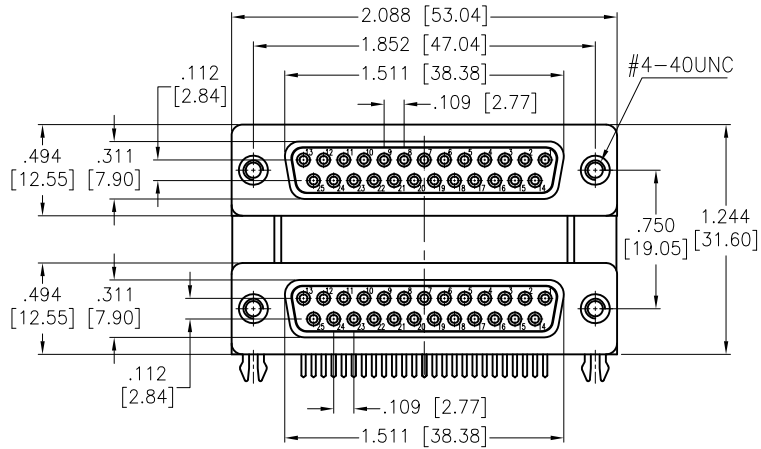


Rev	AWO #	Description	Date	Apr
-		RELEASED	7/26/18	

APPROVED: _____
DATE: _____ TITLE: _____



RECOMMENDED PCB LAYOUT

SPECIFICATIONS:
Material:
Insulator: PBT, rated UL 94V-0
Insulator color: Black
Contacts: Copper Alloy
Shell: SPCC, Nickel plated
Boardlock: Copper Alloy, Tin plated
Bracket: Zinc Alloy, Nickel plated
Plating:
Gold flash over Nickel underplate in contact area,
Tin over Nickel underplate on solder tails.
Electrical:
Operation Voltage: 250 VAC (RMS) max
Current rating: 3 Ampere per Contact
Contact resistance: 25 mohms max
Insulation resistance: 5,000 Mohms min
Dielectric withstanding voltage: 1,000 VAC (RMS)
Temperature Rating:
Operating temperature: -55°C to +85°C
Environmental:
Lead free, RoHS compliant



UNLESS OTHERWISE SPECIFIED ALL DIMENSIONS ARE INCHES [MM] TOLERANCES: EXCEPT AS NOTED		
INCHES		
.X	± .10	HOLES
.XX	± .020	Ø.XX
.XXX	± .015	Ø.XXX
APPROVALS		DATE
DRAWN	AY	7/26/18
CHECKED	LW	7/26/18
APPROVED		

ADAM TECH INTERCONNECTS 909 Rahway Avenue,
Union, NJ 07083
Phone: 908-687-5000
Fax: 908-687-5710

TITLE: DUAL PORT D-SUB, 25P FEMALE OVER 25P FEMALE

SIZE X	PART NO. DPD-25-00-B3	REV. -
REF: S00027T	SCALE: NTS	SHEET 1 OF 1

6 5 4 3 2 1

D

D

C

C

B

B

A

A

6 5 4 3 2 1