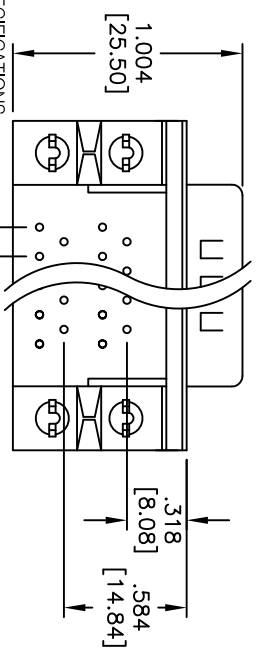
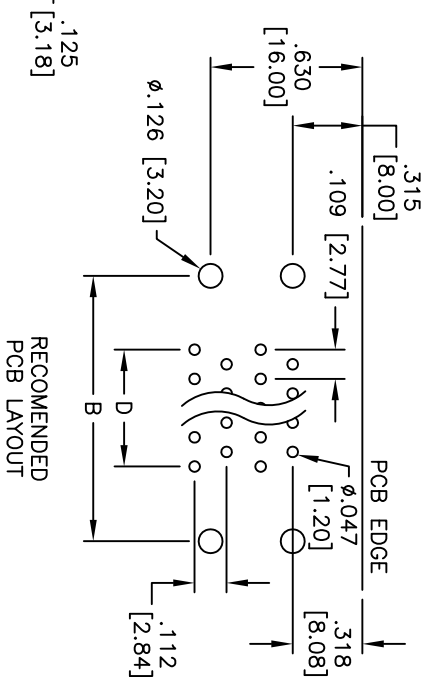
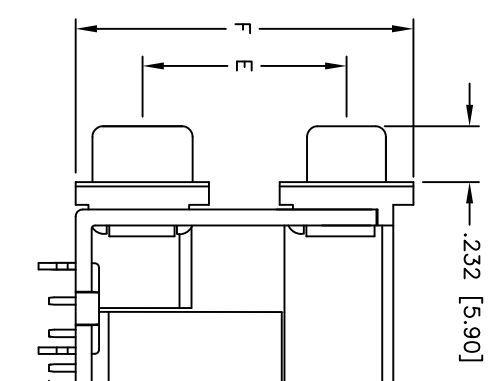
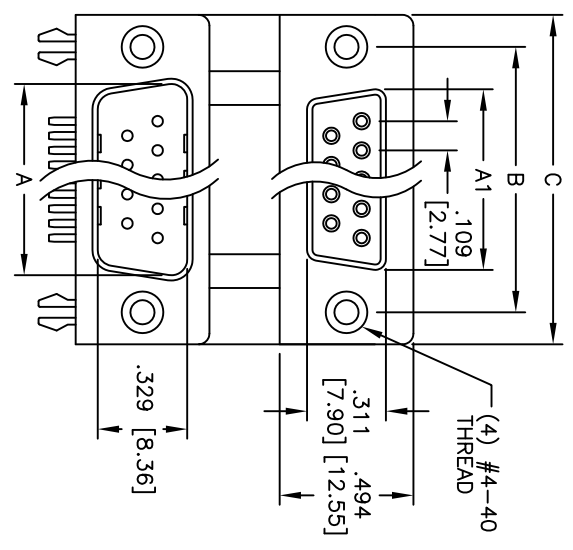


APPROVED: \_\_\_\_\_  
 DATE: \_\_\_\_\_ TITLE: \_\_\_\_\_

Rev	AWO #	Description	Date	Appr
-		RELEASED	6/10/05	
A		REVISED SPEC.	11/13/14	AV/LL



PORT SPACING	PLUG DIMENSIONS		
	A3	B3	C3
.900 [22.86]	.900 [22.86]	1.394 [35.41]	
.750 [19.05]	.750 [19.05]	1.244 [31.60]	
.625 [15.88]	.625 [15.88]	1.119 [28.43]	

POSITIONS	DIMENSIONS			
	A	A1	B	C
9	.666 [16.92]	.643 [16.33]	.984 [24.99]	1.213 [30.81]
15	.994 [25.25]	.971 [24.66]	1.312 [33.32]	1.541 [39.14]
25	1.534 [38.96]	1.511 [38.38]	1.852 [47.04]	2.088 [53.04]
37	2.182 [55.42]	2.160 [54.84]	2.500 [63.50]	2.729 [69.32]

**SPECIFICATIONS:**  
 Insulator: PBT, rated UL 94V-0  
 Material: \_\_\_\_\_  
 Insulator color: Black  
 Contacts: Copper Alloy  
 Shield: SPCC, Nicked plated  
 Boardlock: Copper Alloy, Tin plated  
 Bracket: Zinc Alloy, Nickel plated  
 Plating: \_\_\_\_\_  
 Gold Plated over Nickel at Contact Area.  
 Tin Plated over Nickel at Solder Ared.  
**Electrical:**  
 Operating voltage: 250V AC max.  
 Current rating: 3 Amps / Pin  
 Contact resistance: 25 mohms max.  
 Insulation resistance: 5000 Mohms min.  
 Dielectric withstanding voltage: 1000V AC for 1 minute  
**Temperature Rating:**  
 Operating temperature: -55°C to +85°C  
 Environmental:  
 Lead free, RoHS compliant.



**ADAM TECH**

909 Railway Avenue, Union, NJ 07083  
 Phone: 908-687-5000 Fax: 908-687-5710

TITLE: DUAL PORT D-SUB, FEMALE / MALE  
 FORKED BOARDLOCKS

UNLESS OTHERWISE SPECIFIED ALL DIMENSIONS ARE INCHES [MM]	
TOLERANCES: EXCEPT AS NOTED	
INCHES	HOLDS
.X ± .10	± .10
.XX ± .020	± .015
.XXX ± .015	± .010
APPROVALS	DATE
DRAWN	SS
CHECKED	
APPROVED	

SIZE	PART NO.	REV.
X	DDP-XX-01-X3	A
SCALE: NTS	SHEET 1 OF 1	