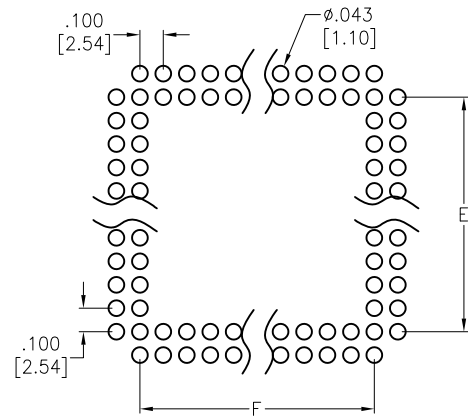
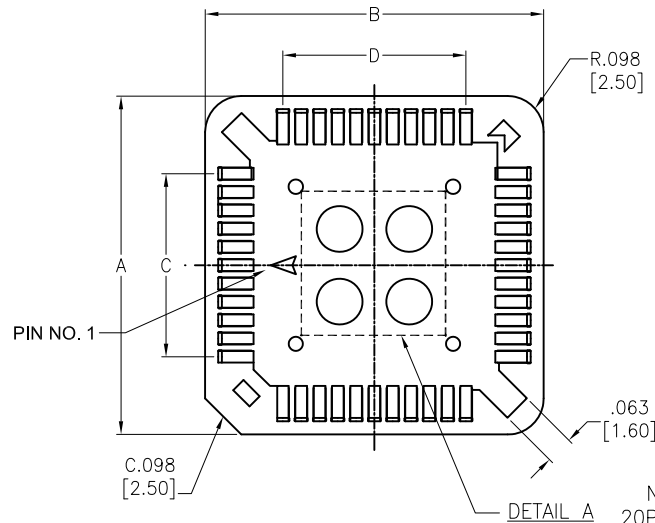
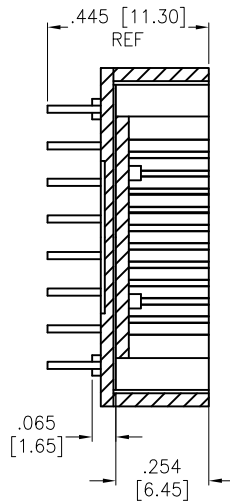


APPROVED: \_\_\_\_\_  
 DATE: \_\_\_\_\_ TITLE: \_\_\_\_\_

| Rev | AWO # | Description             | Date     | Appr  |
|-----|-------|-------------------------|----------|-------|
| -   |       | RELEASED                | 11/8/04  |       |
| A   |       | ADDED PLATING THICKNESS | 01/07/14 |       |
| B   |       | UPDATE DRAWING          | 2/25/20  | LH/RC |
| C   |       | ADDED SHT 2 PINOUT      | 12/28/22 | SS    |



RECOMMENDED PCB LAYOUT



| POSITIONS | A      |       | B      |       | C      |       | D      |       | E      |       | F      |       |
|-----------|--------|-------|--------|-------|--------|-------|--------|-------|--------|-------|--------|-------|
|           | INCHES | MM    | INCHES | MM    | INCHES | MM    | INCHES | MM    | INCHES | MM    | INCHES | MM    |
| 20        | 0.610  | 15.50 | 0.610  | 15.50 | 0.200  | 5.08  | 0.200  | 5.08  | 0.200  | 5.08  | 0.200  | 5.08  |
| 28        | 0.710  | 18.04 | 0.710  | 18.04 | 0.300  | 7.62  | 0.300  | 7.62  | 0.300  | 7.62  | 0.300  | 7.62  |
| 32        | 0.710  | 18.04 | 0.811  | 20.60 | 0.300  | 7.62  | 0.400  | 10.16 | 0.300  | 7.62  | 0.400  | 10.16 |
| 44        | 0.924  | 23.48 | 0.924  | 23.48 | 0.500  | 12.70 | 0.500  | 12.70 | 0.500  | 12.70 | 0.500  | 12.70 |
| 52        | 1.018  | 25.88 | 1.018  | 25.88 | 0.600  | 15.24 | 0.600  | 15.24 | 0.600  | 15.24 | 0.600  | 15.24 |
| 68        | 1.246  | 31.66 | 1.246  | 31.66 | 0.800  | 20.32 | 0.800  | 20.32 | 0.800  | 20.32 | 0.800  | 20.32 |
| 84        | 1.443  | 36.66 | 1.443  | 36.66 | 1.000  | 25.40 | 1.000  | 25.40 | 1.000  | 25.40 | 1.000  | 25.40 |

SPECIFICATIONS:

Material:  
 Insulator: PBT, glass reinforced, rated UL 94V-0  
 Insulator color: Black  
 Contacts: Phosphor Bronze  
 Plating:  
 Tin over Nickel underplate overall  
 Electrical:  
 Current rating: 1 Amp  
 Contact resistance: 30 mohms max  
 Insulation resistance: 1000 Mohms min  
 Dielectric withstanding voltage: 500 VAC for 1 minute  
 Temperature Rating:  
 -50°C to +105°C  
 Environmental:  
 Lead free, RoHS compliant.



|   |              |
|---|--------------|
| UNLESS OTHERWISE SPECIFIED<br>ALL DIMENSIONS ARE INCHES [MM]<br>TOLERANCES: EXCEPT AS NOTED |              |
| INCHES  | HOLES        |
| .X ± .10  | Ø.X ± .10    |
| .XX ± .020  | Ø.XX ± .015  |
| .XXX ± .015   | Ø.XXX ± .010 |
| APPROVALS   |              |
| DRAWN   | DATE         |
| CHECKED   |              |
| APPROVED  |              |

**ADAM TECH**  
 INTERCONNECTS  
 909 Rahway Avenue,  
 Union, NJ 07083  
 Phone: 908-687-5000  
 Fax: 908-687-5710

|   |                        |              |  |
|---|------------------------|--------------|--|
| TITLE<br>PLCC SOCKET, 20 ~ 84 POSITION, PCB |                        |              |  |
| SIZE<br>X                                   | PART NO.<br>PLCC-XX-AT | REV.<br>C    |  |
| REF: S00088T                                | SCALE: NTS             | SHEET 1 OF 2 |  |

6 5 4 3 2 1

APPROVED: \_\_\_\_\_  
DATE: \_\_\_\_\_ TITLE: \_\_\_\_\_

| Rev                    | AWO # | Description | Date | Appr |
|------------------------|-------|-------------|------|------|
| SEE SHT 1 FOR REVISION |       |             |      |      |

### LAYOUT DIAGRAM

**20 POSITION**                      **28 POSITION**                      **32 POSITION**                      **44 POSITION**

**52 POSITION**                      **68 POSITION**                      **84 POSITION**

UNLESS OTHERWISE SPECIFIED  
ALL DIMENSIONS ARE INCHES [MM]  
TOLERANCES: EXCEPT AS NOTED  
INCHES                      HOLES

|      |        |      |        |
|------|--------|------|--------|
| .X   | ± .10  | ∅X   | ± .10  |
| .XX  | ± .020 | ∅XX  | ± .015 |
| .XXX | ± .015 | ∅XXX | ± .010 |

**ADAM TECH INTERCONNECTS** 909 Rahway Avenue,  
Union, NJ 07083 Phone: 908-687-5000  
Fax: 908-687-5710

|           |    |         |
|-----------|----|---------|
| APPROVALS |    | DATE    |
| DRAWN     | SS | 11/8/04 |
| CHECKED   |    |         |
| APPROVED  |    |         |

|                                    |            |            |
|------------------------------------|------------|------------|
| TITLE                              |            |            |
| PLCC SOCKET, 20 ~ 84 POSITION, PCB |            |            |
| SIZE                               | PART NO.   | REV.       |
| X                                  | PLCC-XX-AT | C          |
| REF:                               | S00088T    | SCALE: NTS |
| SHEET 2 OF 2                       |            |            |

6 5 4 3 2 1