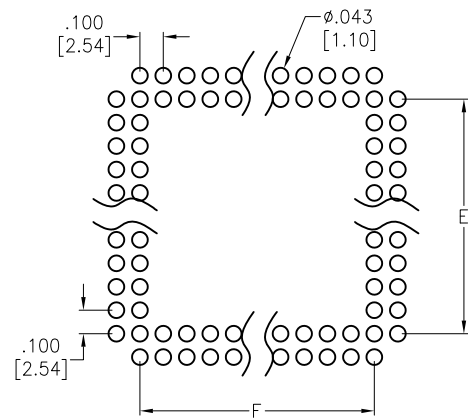
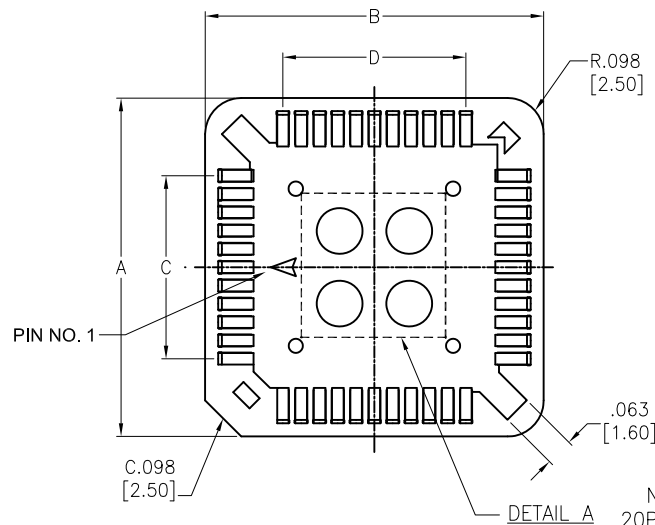
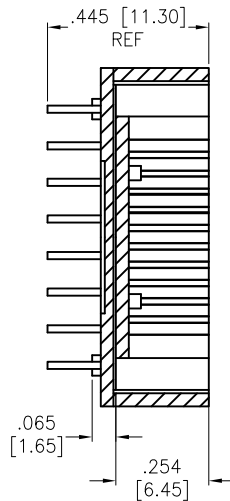


APPROVED: _____
 DATE: _____ TITLE: _____

Rev	AWO #	Description	Date	Appr
-		RELEASED	11/8/04	
A		ADDED PLATING THICKNESS	01/07/14	
B		UPDATE DRAWING	2/25/20	LH/RC
C		ADDED SHT 2 PINOUT	12/28/22	SS



RECOMMENDED PCB LAYOUT



NOTE: DETAIL A
 20P-32P ONE HOLE
 44P-84P FOUR HOLE

POSITIONS	A		B		C		D		E		F	
	INCHES	MM	INCHES	MM	INCHES	MM	INCHES	MM	INCHES	MM	INCHES	MM
20	0.610	15.50	0.610	15.50	0.200	5.08	0.200	5.08	0.200	5.08	0.200	5.08
28	0.710	18.04	0.710	18.04	0.300	7.62	0.300	7.62	0.300	7.62	0.300	7.62
32	0.710	18.04	0.811	20.60	0.300	7.62	0.400	10.16	0.300	7.62	0.400	10.16
44	0.924	23.48	0.924	23.48	0.500	12.70	0.500	12.70	0.500	12.70	0.500	12.70
52	1.018	25.88	1.018	25.88	0.600	15.24	0.600	15.24	0.600	15.24	0.600	15.24
68	1.246	31.66	1.246	31.66	0.800	20.32	0.800	20.32	0.800	20.32	0.800	20.32
84	1.443	36.66	1.443	36.66	1.000	25.40	1.000	25.40	1.000	25.40	1.000	25.40

SPECIFICATIONS:

Material:
 Insulator: PBT, glass reinforced, rated UL 94V-0
 Insulator color: Black
 Contacts: Phosphor Bronze
 Plating:
 Tin over Nickel underplate overall
 Electrical:
 Current rating: 1 Amp
 Contact resistance: 30 mohms max
 Insulation resistance: 1000 Mohms min
 Dielectric withstanding voltage: 500 VAC for 1 minute
 Temperature Rating:
 -50°C to +105°C
 Environmental:
 Lead free, RoHS compliant.



UNLESS OTHERWISE SPECIFIED ALL DIMENSIONS ARE INCHES [MM] TOLERANCES: EXCEPT AS NOTED INCHES HOLES .X ± .10 Ø.X ± .10 .XX ± .020 Ø.XX ± .015 .XXX ± .015 Ø.XXX ± .010		ADAM TECH INTERCONNECTS 909 Rahway Avenue, Union, NJ 07083 Phone: 908-687-5000 Fax: 908-687-5710	
APPROVALS		DATE	
DRAWN	SS	11/8/04	
CHECKED			
APPROVED			
TITLE PLCC SOCKET, 20 ~ 84 POSITION, PCB			
SIZE X	PART NO. PLCC-XX-AT	REV. C	
REF: S00088T	SCALE: NTS	SHEET 1 OF 2	

6

5

4

3

2

1

APPROVED: _____

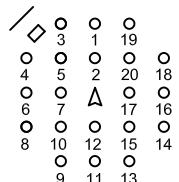
DATE: _____ TITLE: _____

Rev	AWO #	Description	Date	Appr
-----	-------	-------------	------	------

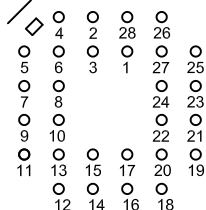
SEE SHT 1 FOR REVISION

LAYOUT DIAGRAM

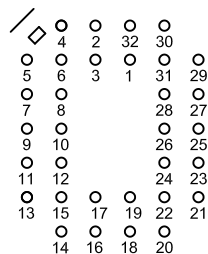
20 POSITION



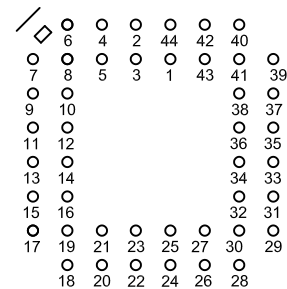
28 POSITION



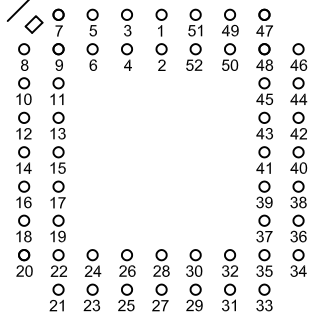
32 POSITION



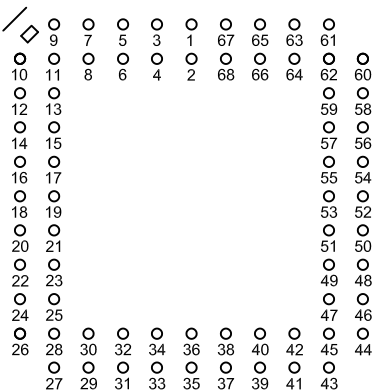
44 POSITION



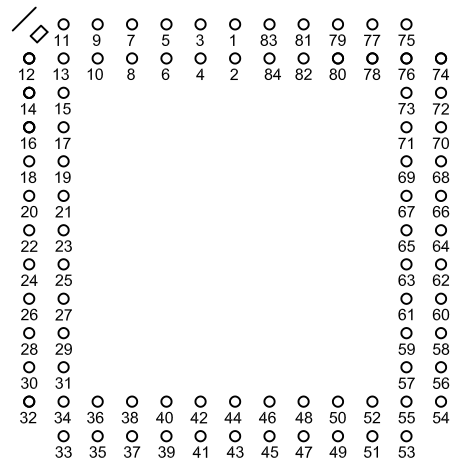
52 POSITION



68 POSITION



84 POSITION



UNLESS OTHERWISE SPECIFIED
 ALL DIMENSIONS ARE INCHES [MM]
 TOLERANCES: EXCEPT AS NOTED
 INCHES HOLES

.X	± .10	∅X	±.10
.XX	± .020	∅XX	±.015
.XXX	± .015	∅XXX	±.010

ADAM
TECH
INTERCONNECTS

909 Rahway Avenue,
 Union, NJ 07083
 Phone: 908-687-5000
 Fax: 908-687-5710

APPROVALS		DATE
DRAWN	SS	11/8/04
CHECKED		
APPROVED		

TITLE PLCC SOCKET, 20 ~ 84 POSITION, PCB		
SIZE X	PART NO. PLCC-XX-AT	REV. C
REF: S00088T	SCALE: NTS	SHEET 2 OF 2

6

5

4

3

2

1