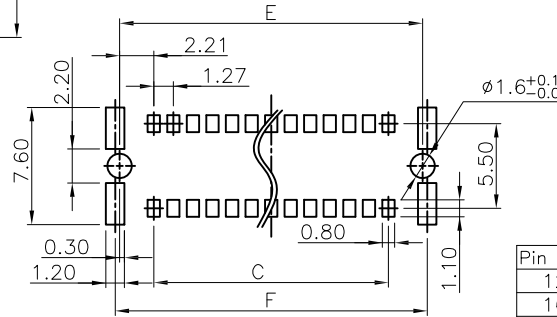
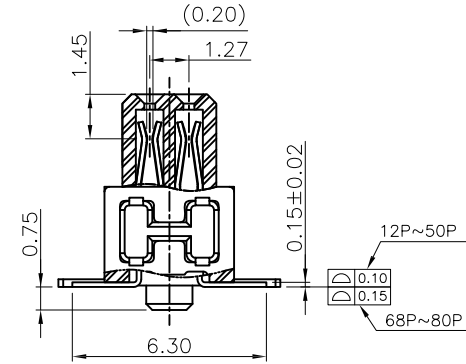
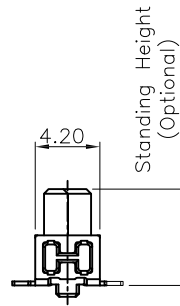
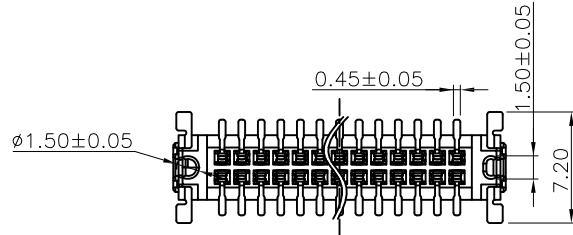
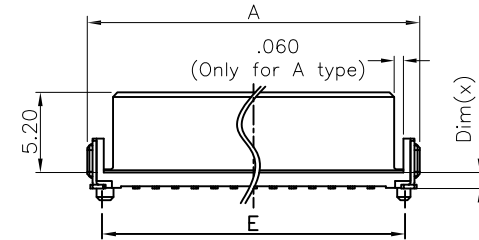
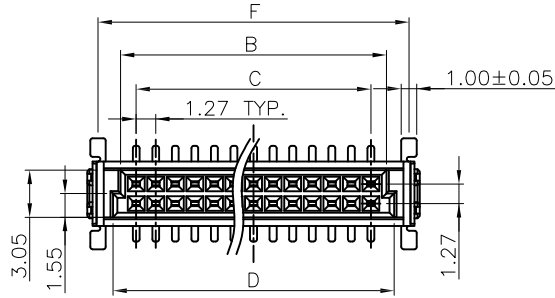


APPROVED: _____
 DATE: _____ TITLE: _____

Rev	AWO #	Description	Date	Appr
-		RELEASED	3/20/17	
A		UPDATE DRAWING	3/19/20	LH/AC



RECOMMENDED PCB LAYOUT

Pin No.	A	B	C	D	E	F
12	12.70	8.37	6.35	9.37	10.77	11.34
16	15.24	10.91	8.89	11.91	13.31	13.88
20	17.78	13.45	11.43	14.45	15.85	16.42
24	20.32	15.99	13.97	16.99	18.39	18.96
26	21.59	17.26	15.24	18.26	19.66	20.23
30	24.13	19.80	17.78	20.80	22.20	22.77
32	25.40	21.07	19.05	22.07	23.47	24.04
40	30.48	26.15	24.13	27.15	28.55	29.12
50	36.83	32.50	30.48	33.50	34.90	35.47
68	48.26	43.93	41.91	44.93	46.33	46.90
80	55.88	51.55	49.53	52.55	53.95	54.52

SPECIFICATIONS:

Material:
 Insulator: Hi-temp thermoplastic, rated UL 94V-0
 Insulator color: Black
 Contacts: Phosphor Bronze
 Board Lock: Brass, Tin plated
 Plating:
 Gold flash over Nickel underplate on contact area,
 Tin over Nickel underplate on solder tails
 Electrical:
 Current rating: 1.2 Amp max
 Contact resistance: 25 mohms max
 Insulation resistance: 1000 Mohms min
 Withstanding voltage: 500 VAC for 1 minute
 Temperature Rating:
 Operating temperature: -55°C to +125°C
 Environmental:
 Lead free, RoHS compliant.



PACKAGED ON TAPE & REEL

UNLESS OTHERWISE SPECIFIED ALL DIMENSIONS ARE MILLIMETERS TOLERANCES: EXCEPT AS NOTED			
MM	ANGLE		
.X ± 0.35	± 2°		
.XX ± 0.20			
.XXX ± 0.10			
APPROVALS		DATE	
DRAWN	AY	3/20/17	
CHECKED	MC	3/20/17	
APPROVED			

ADAM TECH INTERCONNECTS
 909 Rahway Avenue,
 Union, NJ 07083
 Phone: 908-687-5000
 Fax: 908-687-5710

TITLE 1.27mm BOARD TO BOARD STACKING CONNECTOR, FEMALE, VERTICAL, SMT TYPE			
SIZE X	PART NO. ESMC-F-XX-SGS-SMT-X-PP-T/R	REV. A	
REF: S00242T	SCALE: NTS	SHEET 1 OF 2	

6

5

4

3

2

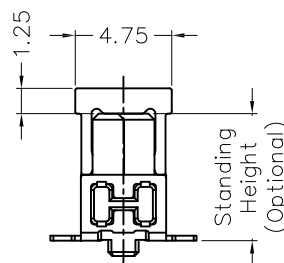
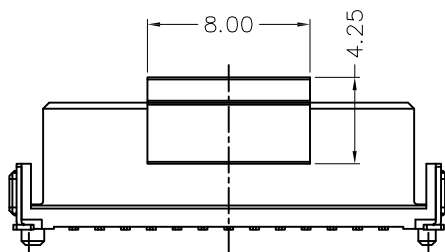
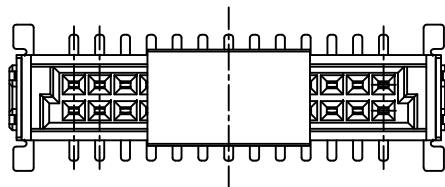
1

APPROVED: _____

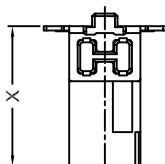
DATE: _____ TITLE: _____

Rev	AWO #	Description	Date	Appr
-----	-------	-------------	------	------

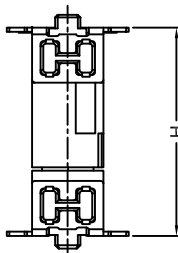
SEE SHT 1 OF 2 FOR REVISION



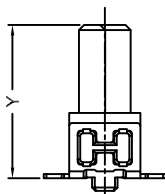
Male Series



Matting →



Female Series



Part No.	Connector Height		Stacking Height
	(Y)Female	(X)Male	H(Matting)
ESMC-F-XX-SGS-SMT-A-PP-T/R	6.25	6.75	8.0
		8.25	9.5
		9.85	11.1
ESMC-F-XX-SGS-SMT-B-PP-T/R	9.05	6.75	10.8
		8.25	12.3
		9.85	13.9
ESMC-F-XX-SGS-SMT-C-PP-T/R	13.65	6.75	15.4
		8.25	16.9
		9.85	18.5

UNLESS OTHERWISE SPECIFIED
 ALL DIMENSIONS ARE MILLIMETERS
 TOLERANCES: EXCEPT AS NOTED

MM	ANGLE
.X ± 0.35	± 2°
.XX ± 0.20	
.XXX ± 0.10	

ADAM TECH INTERCONNECTS
 909 Rahway Avenue,
 Union, NJ 07083
 Phone: 908-687-5000
 Fax: 908-687-5710

APPROVALS		DATE
DRAWN	AY	3/20/17
CHECKED	MC	3/20/17
APPROVED		

TITLE			1.27mm BOARD TO BOARD STACKING CONNECTOR, FEMALE, VERTICAL, SMT TYPE		
SIZE	PART NO.	REV.			
X	ESMC-F-XX-SGS-SMT-X-PP-T/R	A			
REF: S00242T	SCALE: NTS	SHEET 2 OF 2			

6

5

4

3

2

1

D

C

B

A

D

C

B

A