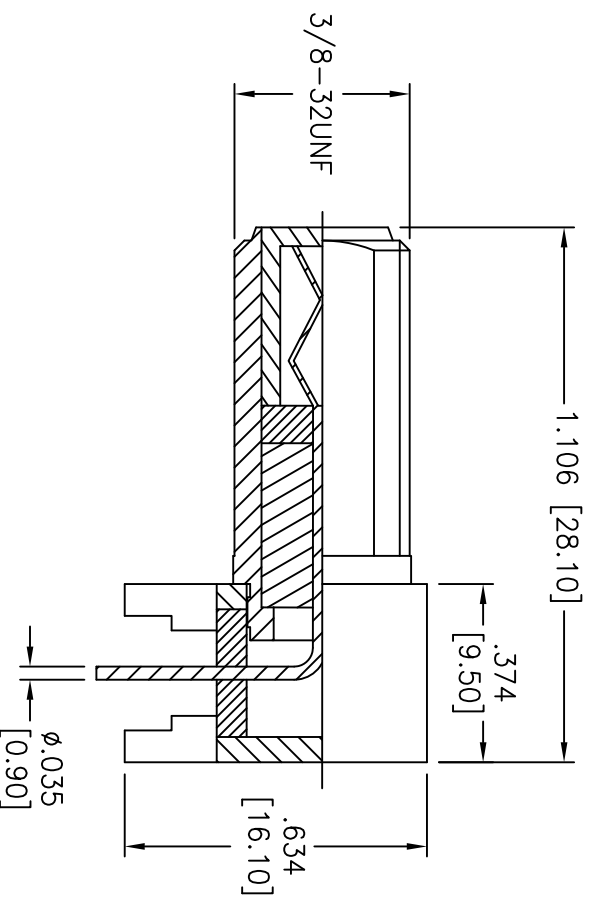
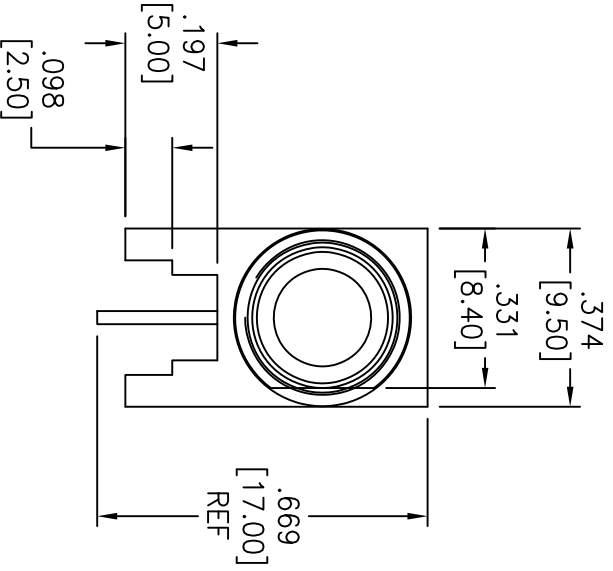
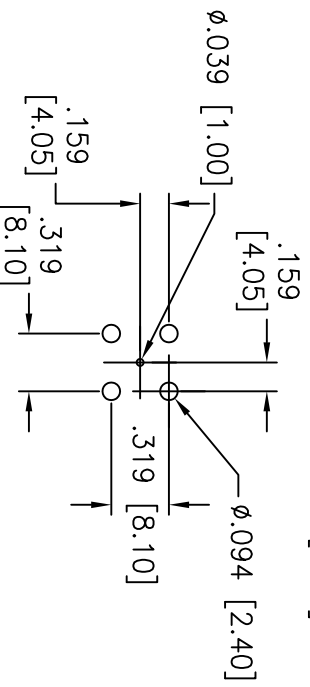


APPROVED: _____
 DATE: _____ TITLE: _____

Rev	AWO #	Description	Date	Appr
-		RELEASED	10/26/05	
A		ADDED HEIGHT OFF PCB	03/22/06	BAS
B		REVISED SPEC.	1/21/13	



INSULATOR	TEFLON	NONE
INSULATOR	TEFLON	NONE
PIN	COPPER	TIN
CONTACT PIN	PHOSPHOR	TIN
INSULATOR	TEFLON	NONE
BODY	BRASS	NICKEL
BODY	BRASS	NICKEL
BODY	BRASS	NICKEL
DESCRIPTION	MATERIAL	FINISH



RECOMMENDED PCB LAYOUT

SPECIFICATIONS:

Electrical:

Impedance: 75 ohm
 Frequency range: 0-2 GHz
 Working Voltage: 250 VRMS max.
 Dielectric Withstanding Voltage: 500 VRMS min.
 Contact Resistance: 5 Milliohms max. (Center Contact)
 2 Milliohms max. (Outer Contact)
 Insulator Resistance: 1000 Megohms min.
 Environmental:
 Lead free, RoHS compliant.



UNLESS OTHERWISE SPECIFIED ALL DIMENSIONS ARE INCHES [MM]	
TOLERANCES: EXCEPT AS NOTED	
.X	±.10
.XX	±.020
.XXX	±.015
ØX	±.10
ØXXX	±.015
APPROVALS	DATE
DRAWN	SS
CHECKED	
APPROVED	

ADAM TECH
 909 Railway Avenue, Union, NJ 07083
 Phone: 908-687-5000 Fax: 908-687-5710

TITLE	R/A, F TYPE FEMALE, PC MOUNT, 75 OHM	
SIZE	PART NO.	REV.
X	RF4-01-T-00-75	B
REF.	SCALE: NTS	SHEET 1 OF 1