

6

5

4

3

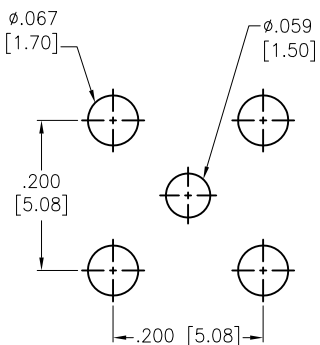
2

1

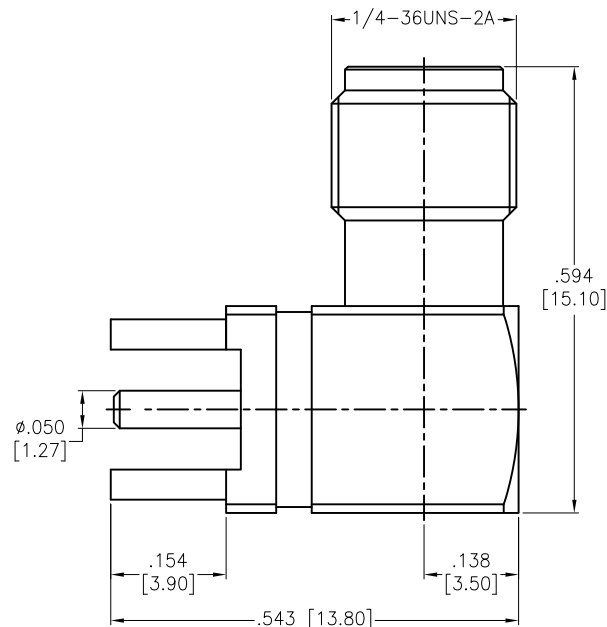
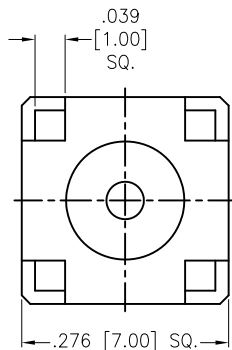
APPROVED: _____

DATE: _____ TITLE: _____

Rev	AWO #	Description	Date	Appr
-		RELEASED	7/20/16	



RECOMMENDED PCB LAYOUT



INSULATOR	PTFE	WHITE
HOUSING	BRASS	GOLD
CONTACT PIN	BRASS	GOLD
INSULATOR	PTFE	WHITE
BODY	BRASS	GOLD
DESCRIPTION	MATERIAL	FINISH

SPECIFICATIONS:

Electrical:
 Frequency range: DC-6 GHz
 Nominal Impedance: 50 Ohms
 Working Voltage: 335 VOLTS max
 Proof Voltage: 1000 VOLTS
 Temperature Rating:
 Operating temperature: -65°C to +165°C
 Environmental:
 Lead free, RoHS compliant.



UNLESS OTHERWISE SPECIFIED ALL DIMENSIONS ARE INCHES [MM] TOLERANCES: EXCEPT AS NOTED		
INCHES HOLES		
.X ± .10	Ø.X ± .10	
.XX ± .020	Ø.XX ± .015	
.XXX ± .015	Ø.XXX ± .010	
APPROVALS		DATE
DRAWN	AY	7/20/16
CHECKED	SY	7/20/16
APPROVED		

ADAM TECH
 909 Rahway Avenue, Union, NJ 07083
 Phone: 908-687-5000 Fax: 908-687-5710

TITLE: RF CONNECTOR, SMA JACK R/A PCB MOUNT

SIZE X	PART NO. RF2-03E-T-00-50-G	REV. -
REF: S00277T	SCALE: NTS	SHEET 1 OF 1

6

5

4

3

2

1