

6

5

4

3

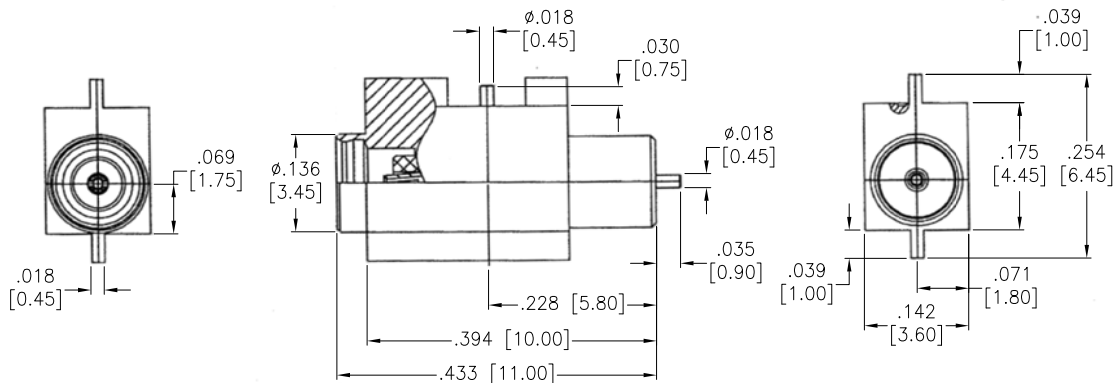
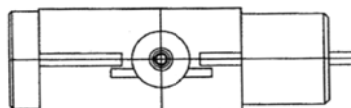
2

1

APPROVED: _____

DATE: _____ TITLE: _____

Rev	AWO #	Description	Date	Appr
-		RELEASED	8/6/15	
A		UPDATED PACKING DRAWING	10/5/15	HR/OC
B		UPDATED PACKING	5/25/16	AY/OC



SPRING	SPRING STEEL	
FEMALE CONTACT	BERYLLIUM COPPER	
SLEEVE	BRASS	GOLD
CONTACT	BRASS	GOLD
INSULATOR	TFFLON	WHITE
BODY	BRASS	GOLD
ITEM NAME	MATERIAL	FINISH

SPECIFICATIONS:

Electrical:

Nominal Impedance: 50 ohms

Frequency range: 1-6 GHz

Voltage Rating: 1-125V

Temperature Rating:

Operating temperature: -55°C to +155°C

Environmental:

Lead free, RoHS compliant.



UNLESS OTHERWISE SPECIFIED ALL DIMENSIONS ARE INCHES [MM] TOLERANCES: EXCEPT AS NOTED		<h1>ADAM TECH</h1> <p>909 Rahway Avenue, Union, NJ 07083 Phone: 908-687-5000 Fax: 908-687-5710</p>	
INCHES HOLES			
.X ± .10	Ø.X ± .10	TITLE MMCX SWITCH JACK, EDGE CARD, 50 OHM, PCB MOUNT	
.XX ± .020	Ø.XX ± .015		
.XXX ± .015	Ø.XXX ± .010		
APPROVALS		DATE	
DRAWN	HR	8/6/15	
CHECKED	OC	8/6/15	
APPROVED			
SIZE	PART NO.	REV.	
X	RF12-32B-T-00-50-G-T/R	B	
REF:	S00049T	SCALE:	NTS
		SHEET 1 OF 2	

6

5

4

3

2

1

6

5

4

3

2

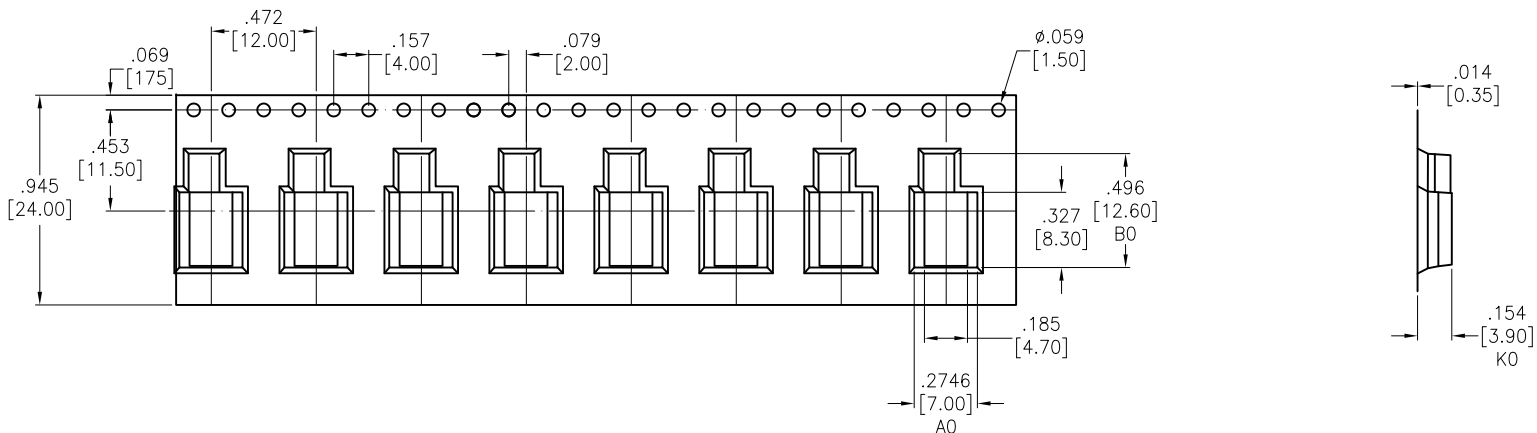
1

APPROVED: _____

DATE: _____ TITLE: _____

Rev	AWO #	Description	Date	Appr
-----	-------	-------------	------	------

SEE SHT 1 OF 2 FOR REVISION



D

D

C

C

B

B

A

A

NOTE:

- 10 sprocket hole pitch cumulative tolerance $\pm 0.2\text{mm}$
- Carrier camber is 1mm in 250mm
- All dimensions meet EIA-481-2A requirements
- Material: Black PS
- Thickness: $0.35 \pm 0.05\text{mm}$
- Packing length per 13" reel: 16.12 meters
- Componet Loader per reel: 1300+44pcs, 22pcs blank for front and bottom

UNLESS OTHERWISE SPECIFIED
 ALL DIMENSIONS ARE INCHES [MM]
 TOLERANCES: EXCEPT AS NOTED

INCHES		HOLES	
.X	$\pm .10$	\varnothing .X	$\pm .10$
.XX	$\pm .020$	\varnothing .XX	$\pm .015$
.XXX	$\pm .015$	\varnothing .XXX	$\pm .010$

ADAM TECH

909 Rahway Avenue, Union, NJ 07083
 Phone: 908-687-5000 Fax: 908-687-5710

APPROVALS		DATE
DRAWN	HR	8/6/15
CHECKED	OC	8/6/15
APPROVED		

TITLE
**MMCX SWITCH JACK, EDGE CARD,
 50 OHM, PCB MOUNT**

SIZE X	PART NO. RF12-32B-T-00-50-G-T/R	REV. B
REF: S00049T	SCALE: NTS	SHEET 2 OF 2

6

5

4

3

2

1