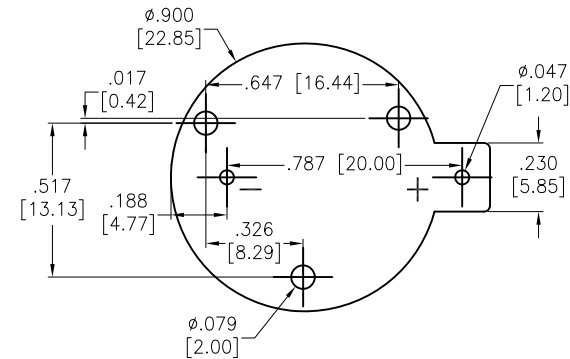
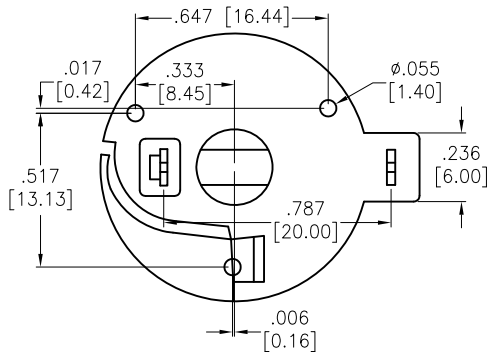
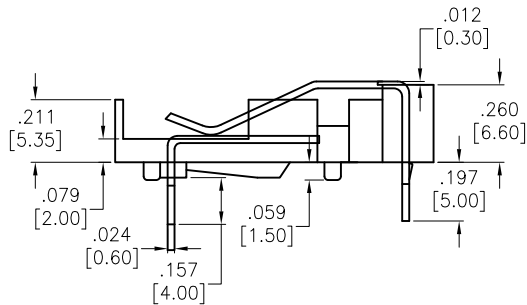
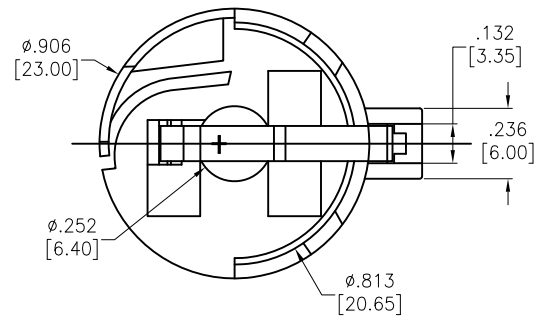


APPROVED: _____
 DATE: _____ TITLE: _____

Rev	AWO #	Description	Date	Appr
-		RELEASED	8/11/16	



RECOMMENDED PCB LAYOUT

SPECIFICATIONS:

Material:
 Housing: PBT, Glass reinforced, rated UL94V-0, Color: Black
 Contact: Mn Steel, Nickel plated
 Electrical:
 Contact resistance: 30 mohms max
 Insulation resistance: 1,000 Mohms min
 Dielectric Voltage: 500 VAC one sec level
 Temperature Rating:
 Operating temperature: -25°C to +85°C.
 Environmental:
 Lead free, RoHS compliant



UNLESS OTHERWISE SPECIFIED ALL DIMENSIONS ARE INCHES [MM] TOLERANCES: EXCEPT AS NOTED		
INCHES HOLES		
.X ± .10	Ø.X ± .10	
.XX ± .020	Ø.XX ± .015	
.XXX ± .015	Ø.XXX ± .010	
APPROVALS		DATE
DRAWN	HR	8/11/16
CHECKED	LW	8/11/16
APPROVED		

ADAM TECH

909 Rahway Avenue, Union, NJ 07083
 Phone: 908-687-5000 Fax: 908-687-5710

TITLE
**BATTERY HOLDER, PCB THRU HOLE
 FOR CR2032, BLACK COLOR**

SIZE X	PART NO. BH-25D-1	REV. -
REF: S00136C	SCALE: NTS	SHEET 1 OF 1

6

5

4

3

2

1

6

5

4

3

2

1