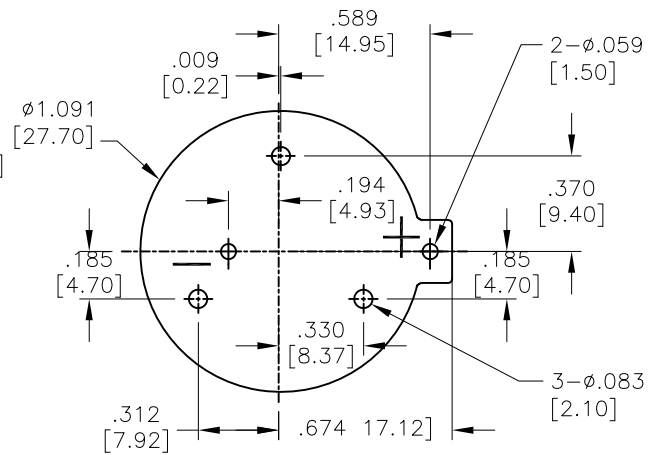
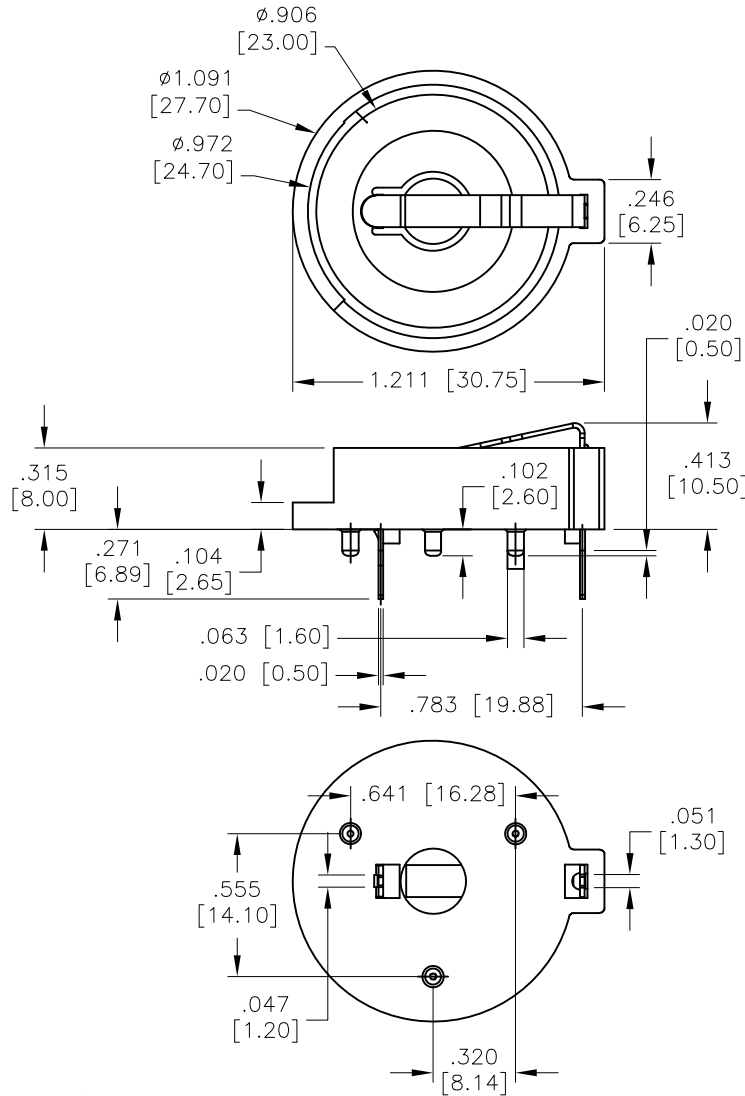


APPROVED: _____
 DATE: _____ TITLE: _____

Rev	AWO #	Description	Date	Appr
-		RELEASED	5/28/15	
A		UPDATED DRAWING	8/9/16	AY/LW



SPECIFICATIONS:

Material:
 Housing: PBT, rated UL94V-0, Color: Black
 Contact: Mn Steel, Nickel plated
 Electrical:
 Contact resistance: 30 Milliohms max
 Insulation resistance: 1000 Mega ohms min
 Dielectric Voltage: 500V AC one sec level
 Temperature Rating:
 Operating temperature: -25°C to +85°C.
 Environmental:
 Lead free, RoHS compliant



UNLESS OTHERWISE SPECIFIED ALL DIMENSIONS ARE INCHES [MM] TOLERANCES: EXCEPT AS NOTED		ADAM TECH 909 Rahway Avenue, Union, NJ 07083 Phone: 908-687-5000 Fax: 908-687-5710	
INCHES HOLES			
.X ± .10	Ø.X ± .10	TITLE COIN CELL BATTERY HOLDER, CR 2477, PCB MOUNT	
.XX ± .020	Ø.XX ± .015		
.XXX ± .015	Ø.XXX ± .010		
APPROVALS		DATE	
DRAWN	AY	5/28/15	
CHECKED	OC	5/28/15	
APPROVED			
SIZE X	PART NO. BH-32C-1	REV. A	
REF: S00136C	SCALE: NTS	SHEET 1 OF 1	