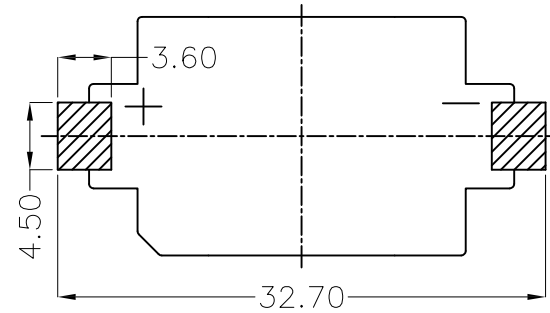
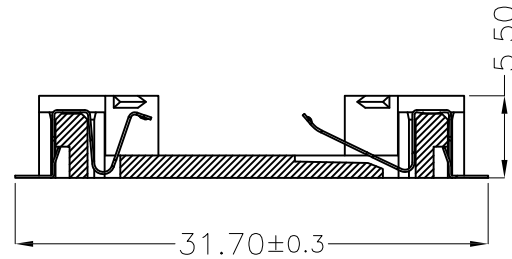
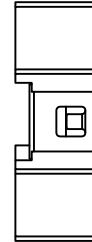
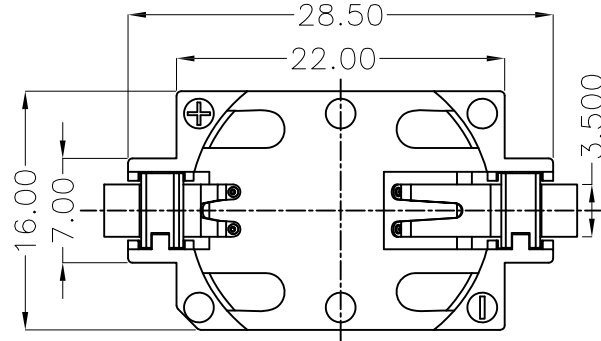


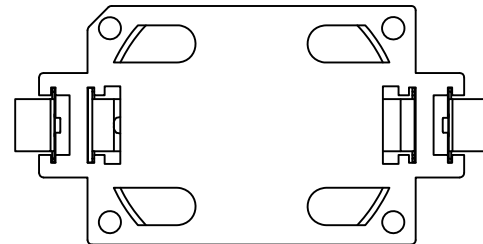
APPROVED: \_\_\_\_\_

DATE: \_\_\_\_\_ TITLE: \_\_\_\_\_

Rev	AWO #	Description	Date	Appr
-		RELEASED	8/11/16	
A		UPDATE DRAWING	3/13/20	LH/MY
B		UPDATE PLATED	3/30/21	LH/RC



RECOMMENDED PCB LAYOUT



**SPECIFICATIONS:**

Material:  
Housing: Hi-Temp Thermoplastic, rated UL94V-0, Color: White  
Contact: Phosphor Bronze, Tin plated  $\Delta$   
Electrical:  
Contact resistance: 30 mohms max  
Insulation resistance: 1,000 Mohms min  
Dielectric Voltage: 500 VAC one sec level  
Temperature Rating:  
Operating temperature: -25°C to +85°C.  
Environmental:  
Lead free, RoHS compliant



UNLESS OTHERWISE SPECIFIED ALL DIMENSIONS ARE MILLIMETERS TOLERANCES: EXCEPT AS NOTED MM ANGLE X ± 0.30 X ± 1° X.X ± 0.25 X.X ± 0.5° X.XX ± 0.20 X.XXX ± 0.10		<b>ADAM TECH</b> 909 Rahway Avenue, Union, NJ 07083 Phone: 908-687-5000 Fax: 908-687-5710	
APPROVALS DRAWN HR CHECKED LW APPROVED		DATE 8/11/16 8/11/16	
TITLE <b>BATTERY HOLDER, SURFACE MOUNT,          FOR CR2032, WHITE COLOR</b>		SIZE <b>X</b>	PART NO. <b>BH-49B-5</b>
REF: S00136C		SCALE: NTS	SHEET 1 OF 1
		REV. <b>B</b>	

6

5

4

3

2

1

D

D

C

C

B

B

A

A

6

5

4

3

2

1