

6

5

4

3

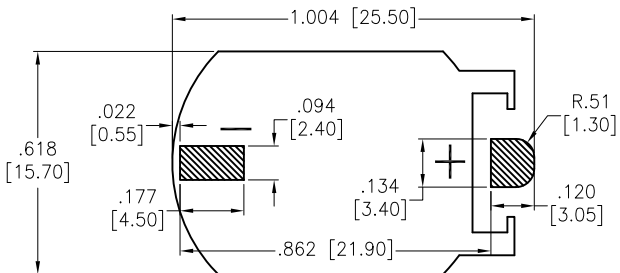
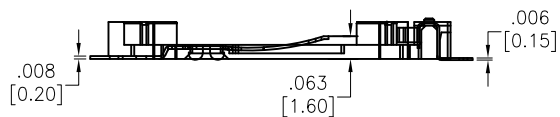
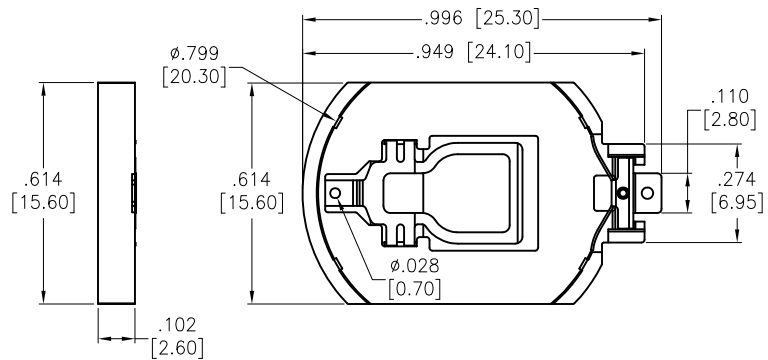
2

1

APPROVED: _____

DATE: _____ TITLE: _____

| Rev | AWO # | Description | Date | Appr |
|-----|-------|-------------|---------|------|
| - | | RELEASED | 8/11/16 | |



RECOMMENDED PCB LAYOUT

SPECIFICATIONS:

Material:
Housing: Hi-temp thermoplastic (PPA), rated UL94V-0, Color: Brown
Contact: Phosphor Bronze, Gold plated
Electrical:
Contact resistance: 30 mohms max
Insulation resistance: 1,000 Mohms min
Dielectric Voltage: 500 VAC one sec level
Temperature Rating:
Operating temperature: -25°C to +85°C
Environmental:
Lead free, RoHS compliant



| | | |
|---------------------------------------------------------------------------------------------|--------------|---------|
| UNLESS OTHERWISE SPECIFIED ALL DIMENSIONS ARE INCHES [MM] TOLERANCES: EXCEPT AS NOTED | | |
| INCHES | | HOLES |
| .X ± .10 | Ø.X ± .10 | |
| .XX ± .020 | Ø.XX ± .015 | |
| .XXX ± .015 | Ø.XXX ± .010 | |
| APPROVALS | | DATE |
| DRAWN | HR | 8/11/16 |
| CHECKED | LW | 8/11/16 |
| APPROVED | | |

ADAM TECH
909 Rahway Avenue, Union, NJ 07083
Phone: 908-687-5000 Fax: 908-687-5710

TITLE: **BATTERY HOLDER, SURFACE MOUNT,
FOR CR2016, BROWN COLOR**

| | | |
|------------------|-----------------------------|--------------|
| SIZE X | PART NO. BH-74C-5 | REV. - |
| REF: S00136C | SCALE: NTS | SHEET 1 OF 1 |

6

5

4

3

2

1