

6

5

4

3

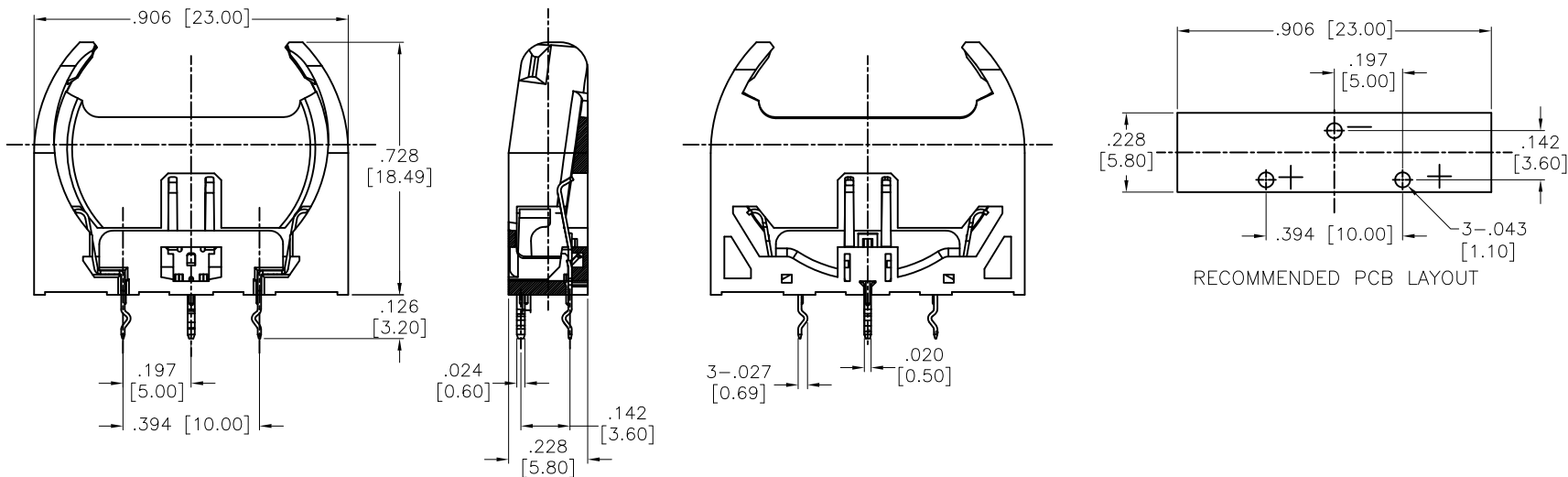
2

1

APPROVED: \_\_\_\_\_

DATE: \_\_\_\_\_ TITLE: \_\_\_\_\_

Rev	AWO #	Description	Date	Appr
-		RELEASED	10/24/18	



**SPECIFICATIONS:**

**Material:**

Housing: PA66, Color: Black

Contact: Stainless Steel, Nickel plated

**Electrical:**

Contact resistance: 30 Milliohms max

Insulation resistance: 1,000 Mega ohms min

Dielectric Voltage: 500 VAC one sec level

**Temperature Rating:**

Operating temperature: -55°C to +105°C.

**Environmental:**

Lead free, RoHS compliant



UNLESS OTHERWISE SPECIFIED ALL DIMENSIONS ARE INCHES [MM] TOLERANCES: EXCEPT AS NOTED		<b>ADAM</b>		909 Rahway Avenue, Union, NJ 07083	
INCHES HOLES		<b>TECH</b>		Phone: 908-687-5000	
.X ± .10	∅X ± .10	<b>INTERCONNECTS</b>		Fax: 908-687-5710	
.XX ± .020	∅XX ± .015	TITLE COIN CELL BATTERY HOLDER FOR ONE CELL CR2032			
.XXX ± .015	∅XXX ± .010	REV. -			
APPROVALS		DATE		SIZE X	
DRAWN	AY	10/24/18		PART NO. BH-50C-1	
CHECKED	RC1	10/24/18		REF: S00138C	
APPROVED				SCALE: NTS	
				SHEET 1 OF 1	

6

5

4

3

2

1