

6

5

4

3

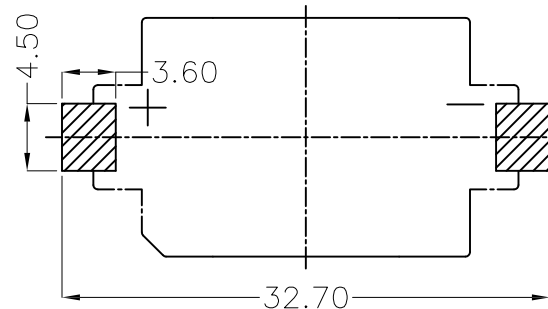
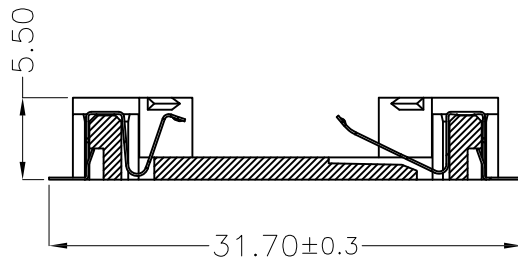
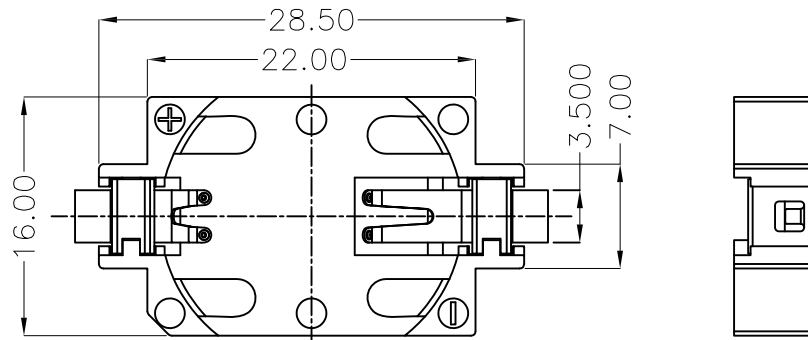
2

1

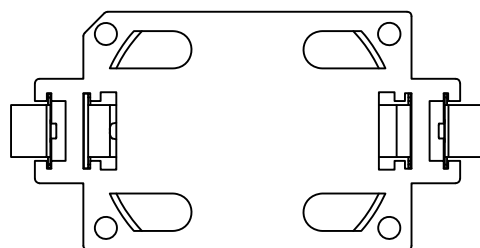
APPROVED: \_\_\_\_\_

DATE: \_\_\_\_\_ TITLE: \_\_\_\_\_

Rev	AWO #	Description	Date	Appr
-		RELEASED	3/13/20	



RECOMMENDED P.C.B LAYOUT



**SPECIFICATIONS:**

Material:  
Housing: Hi-Temp Thermoplastic, rated UL94V-0, Color: Black  
Contact: Phosphor Bronze, Tin plated  
Electrical:  
Contact resistance: 30 Milliohms max  
Insulation resistance: 1,000 Megaohms ohms min  
Dielectric Voltage: 500 VAC @ sea level  
Temperature Rating:  
Operating temperature: -25°C to +85°C  
Environmental:  
Lead free, RoHS compliant



UNLESS OTHERWISE SPECIFIED  
ALL DIMENSIONS ARE MILLIMETERS  
TOLERANCES: EXCEPT AS NOTED  
MM ANGLE  
X ± 0.30 X ± 1°  
X.X ± 0.25 X.X ± 0.5°  
X.XX ± 0.20  
X.XXX ± 0.10

**ADAM** 909 Rahway Avenue,  
**TECH** Union, NJ 07083  
**INTERCONNECTS** Phone: 908-687-5000  
Fax: 908-687-5710

APPROVALS		DATE
DRAWN	LH	3/13/20
CHECKED	MY	3/13/20
APPROVED		

TITLE		COIN CELL BATTERY HOLDER FOR CELL CR2032, SMT TYPE, COLOR: BLACK	
SIZE	PART NO.	REV.	
X	BH-49A-5-T-BK	-	
REF: S00136C	SCALE: NTS	SHEET 1 OF 1	

6

5

4

3

2

1