

6

5

4

3

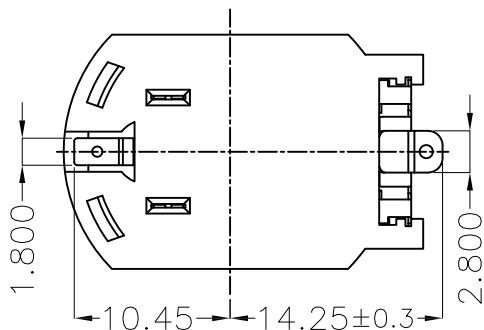
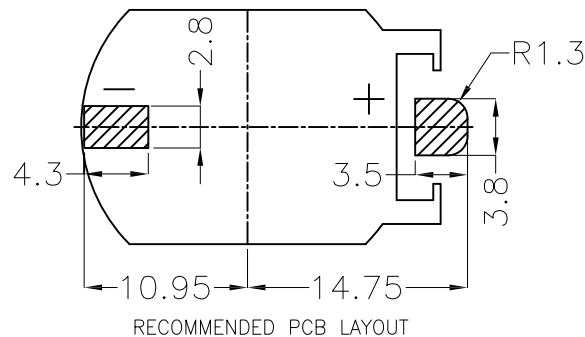
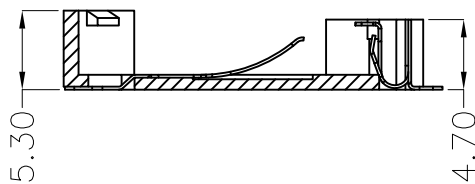
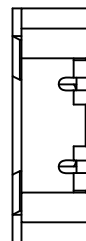
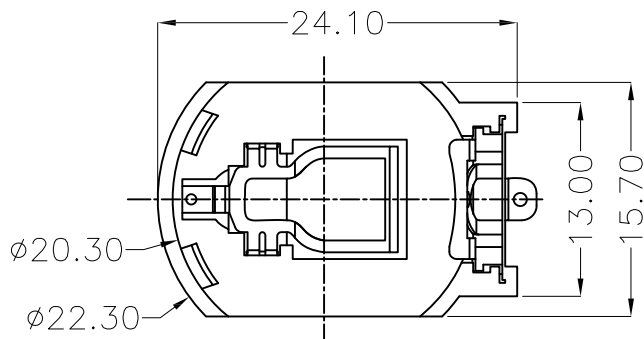
2

1

APPROVED: \_\_\_\_\_

DATE: \_\_\_\_\_ TITLE: \_\_\_\_\_

Rev	AWO #	Description	Date	Appr
-		RELEASED	3/19/20	



**SPECIFICATIONS:**

Material:

Housing: Hi-temp thermoplastic, Color: Brown

Contact: Phosphor Bronze, Gold plated

Electrical:

Contact resistance: 30 mohms max

Insulation resistance: 1,000 Megaohms ohms min

Dielectric Voltage: 500 VAC one sec level

Temperature Rating:

Operating temperature: -25°C to +85°C

Environmental:

Lead free, RoHS compliant



UNLESS OTHERWISE SPECIFIED  
 ALL DIMENSIONS ARE MILLIMETERS  
 TOLERANCES: EXCEPT AS NOTED  
 MM ANGLE  
 X ± 0.30 X ± 1°  
 X.X ± 0.25 X.X ± 0.5°  
 X.XX ± 0.20  
 X.XXX ± 0.10

**ADAM**  
**TECH**  
**INTERCONNECTS**

909 Rahway Avenue,  
 Union, NJ 07083  
 Phone: 908-687-5000  
 Fax: 908-687-5710

APPROVALS		DATE
DRAWN	LH	3/19/20
CHECKED	MY	3/19/20
APPROVED		

TITLE BATTERY HOLDER, SURFACE MOUNT, FOR CR2032, BROWN COLOR		
SIZE X	PART NO. BH-74K-5	REV. -
REF: S00136C	SCALE: NTS	SHEET 1 OF 1

6

5

4

3

2

1