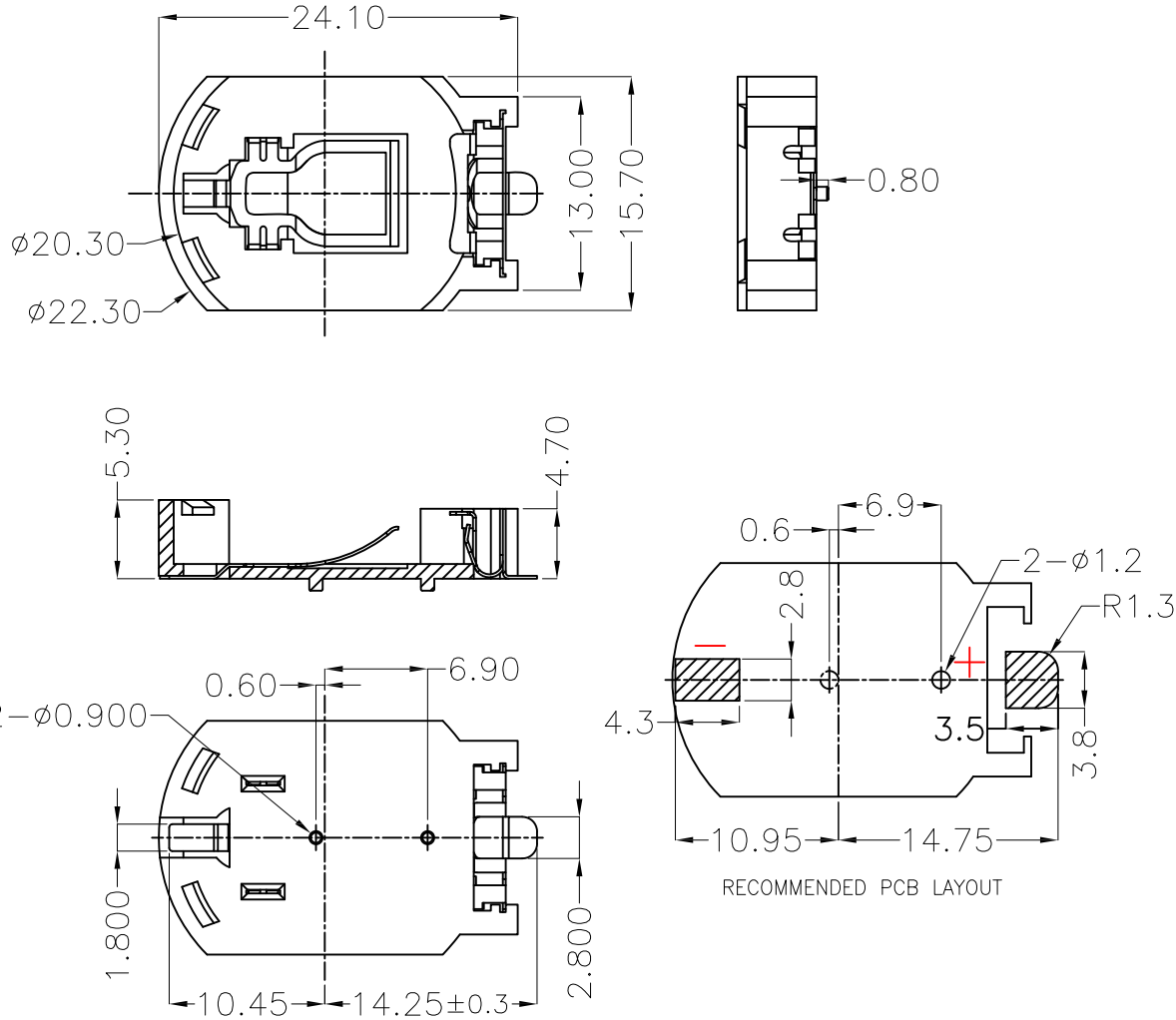


APPROVED: _____
 DATE: _____ TITLE: _____

Rev	AWO #	Description	Date	Appr
-		RELEASED	3/19/20	
A		UPDATE DRAWING	4/6/21	LH/RC



SPECIFICATIONS:

Material:
 Housing: (PPA) Hi-temp thermoplastic, Color: Brown
 Contact: Phosphor Bronze, Gold plated
 Electrical:
 Contact resistance: 30 mohms max
 Insulation resistance: 1,000 Megaohms ohms min
 Dielectric Voltage: 500 VAC one sec level
 Temperature Rating:
 Operating temperature: -25°C to $+85^{\circ}\text{C}$
 Environmental:
 Lead free, RoHS compliant



UNLESS OTHERWISE SPECIFIED ALL DIMENSIONS ARE MILLIMETERS. TOLERANCES: EXCEPT AS NOTED

MM	ANGLE
X ± 0.30	X $\pm 1^{\circ}$
X.X ± 0.25	X.X $\pm 0.5^{\circ}$
X.XX ± 0.20	
X.XXX ± 0.10	



909 Rahway Avenue,
 Union, NJ 07083
 Phone: 908-687-5000
 Fax: 908-687-5710

DRAWN	LH	3/19/20
CHECKED	MY	3/19/20
APPROVED		

TITLE
**BATTERY HOLDER, SURFACE MOUNT,
 FOR CR2032, W/PEG, BROWN COLOR**

THIS DRAWING CONTAINS INFORMATION THAT IS PROPRIETARY AND SHOULD NOT BE USED WITHOUT PRIOR WRITTEN PERMISSION FROM ADAM TECH

SIZE X	PART NO. BH-74G-5-P	REV. A
REF: S00136C	SCALE: NTS	SHEET 1 OF 1