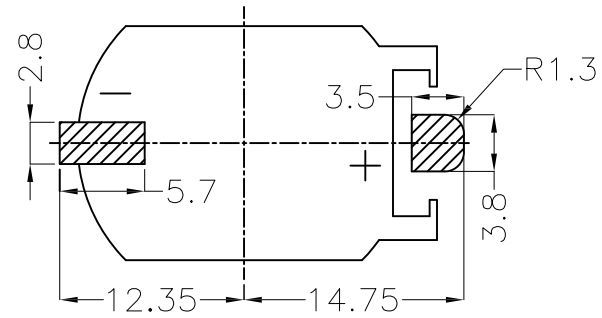
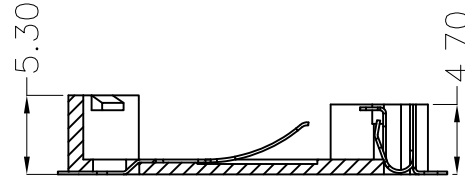
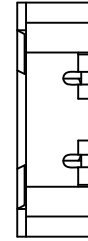
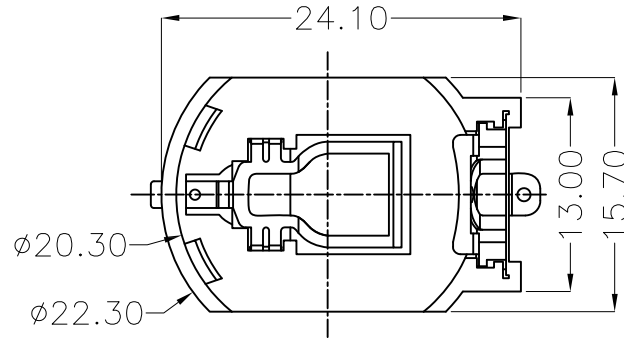
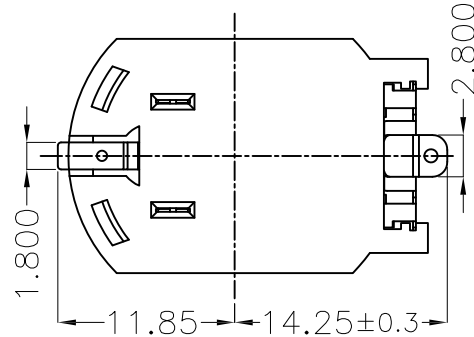


APPROVED: \_\_\_\_\_  
 DATE: \_\_\_\_\_ TITLE: \_\_\_\_\_

Rev	AWO #	Description	Date	Appr
-		RELEASED	10/31/18	
A		UPDATE DRAWING	3/19/20	LH/MY



RECOMMENDED PCB LAYOUT



**SPECIFICATIONS:**

Material:  
 Housing: Hi-temp thermoplastic, Color: Brown  
 Contact: Phosphor Bronze, Gold plated  
 Electrical:  
 Contact resistance: 30 mohms max  
 Insulation resistance: 1,000 Megaohms ohms min  
 Dielectric Voltage: 500 VAC one sec level  
 Temperature Rating:  
 Operating temperature: -25°C to +85°C  
 Environmental:  
 Lead free, RoHS compliant



UNLESS OTHERWISE SPECIFIED  
 ALL DIMENSIONS ARE MILLIMETERS  
 TOLERANCES: EXCEPT AS NOTED  
 MM ANGLE  
 X ± 0.30 X ± 1°  
 X.X ± 0.25 X.X ± 0.5°  
 X.XX ± 0.20  
 X.XXX ± 0.10

**ADAM TECH**  
 INTERCONNECTS  
 909 Rahway Avenue,  
 Union, NJ 07083  
 Phone: 908-687-5000  
 Fax: 908-687-5710

APPROVALS		DATE
DRAWN	AY	10/31/18
CHECKED	TW	10/31/18
APPROVED		

TITLE BATTERY HOLDER, SURFACE MOUNT, FOR CR2032, BROWN COLOR		
SIZE X	PART NO. BH-74E-5	REV. A
REF: S00136C	SCALE: NTS	SHEET 1 OF 1