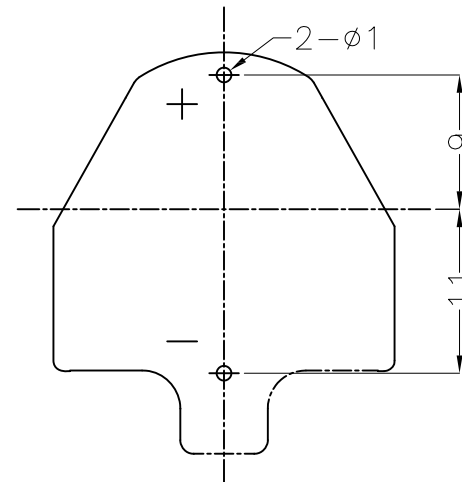
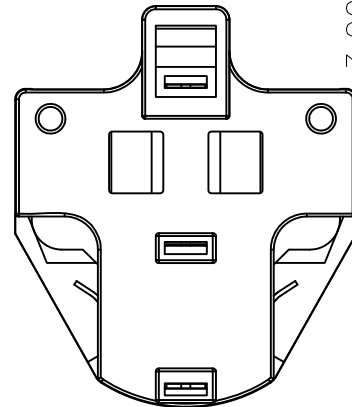
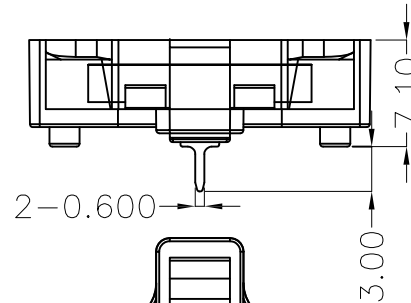
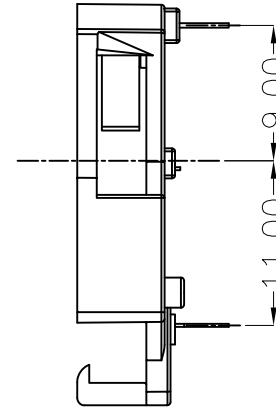
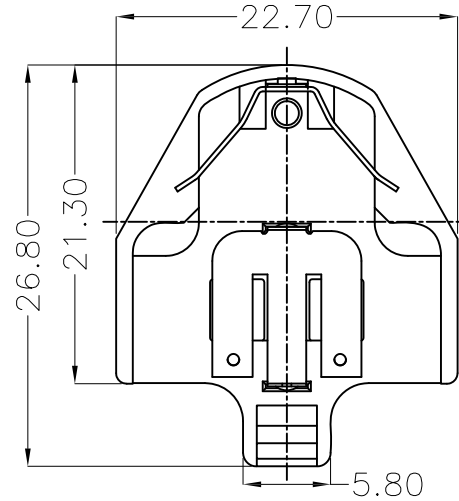


APPROVED: _____
 DATE: _____ TITLE: _____

Rev	AWO #	Description	Date	Appr
-		RELEASED	9/30/17	
A		UPDATE DRAWING	3/17/20	LH/MY



RECOMMENDED PCB LAYOUT

SPECIFICATIONS:

Material:
 Housing: PA66, rated UL94V-0, Color: Black
 Contact: Phosphor Bronze, Tin plated
 Electrical:
 Contact resistance: 30 Milliohms max
 Insulation resistance: 1,000 Megaohms ohms min
 Dielectric Voltage: 500 VAC @ sea level
 Temperature Rating:
 Operating temperature: -25°C to +85°C
 Environmental:
 Lead free, RoHS compliant



UNLESS OTHERWISE SPECIFIED
 ALL DIMENSIONS ARE MILLIMETERS
 TOLERANCES: EXCEPT AS NOTED
 MM ANGLE
 X ± 0.30 X ± 1°
 X.X ± 0.25 X.X ± 0.5°
 X.XX ± 0.20
 X.XXX ± 0.10

ADAM TECH
INTERCONNECTS
 909 Rahway Avenue,
 Union, NJ 07083
 Phone: 908-687-5000
 Fax: 908-687-5710

APPROVALS		DATE
DRAWN	AY	9/30/17
CHECKED	RC	9/30/17
APPROVED		

TITLE			
COIN CELL BATTERY HOLDER FOR CELL CR2032, DIP TYPE			
SIZE	PART NO.	REV.	
X	BH-100A-1	A	
REF:	S00138C	SCALE:	NTS SHEET 1 OF 1